

SUZUKI
PARTS CATALOGUE

DF4A/5A/6A

DF4A

DF5A

DF6A



OUTBOARD MOTOR

P01

2016-2

1ST EDITION

PREFACE

When it becomes necessary to replace parts on SUZUKI OUTBOARD MOTORS, always use SUZUKI GENUINE PARTS which have passed a strict inspection which guarantees quality and performance.

This parts catalogue covers the list of all service parts for SUZUKI DF4A/5A/6A production start 2016.

INSTRUCTIONS FOR QUOTING THE CATALOGUE

1. DIMENSIONS

Dimensions of the parts in this catalogue are indicated in unit millimeters.

2. ABBREVIATIONS

Abbreviations used in this catalogue are as follows:

AR	: As required	NT	: Number of teeth
ASSY	: Assembly	OPT	: Optional
E. NO.	: Engine number	OS	: Over size
F. NO.	: Frame number	STD	: Standard
D	: Diameter of material	T	: Thickness
ID	: Inside diameter	US	: Under size
OD	: Outside diameter	W	: Width
L	: Length	W/	: With
LH(PORT)	: Left hand side	S. L	: Transom type
RH(STBD)	: Right hand side	SUS	: Stainless steel
~123456	: Up to E. NO. 00403F-123456		
123456~	: From E. NO. 00403F-123456		
12 x 34 x 5.6.....	Figures in the description column		
	show the dimensions of parts.		
ID	OD	T(or W, L)	

→12345-56781 (Parts No.) : indicates that the parts number was changed to 12345-56781 and the new parts are interchangeable with the former ones but the former ones are not interchangeable with new ones.

←12345-56781 (Parts No.) : indicates that the former and new parts are interchangeable with each other and both are usable.

3. INNER PARTS OF ASSEMBLY

Part name with a dot (.) in front as shown in the description column indicates the component of the assembly also available individually.

4. MODIFICATION NOTICE

A parts bulletin will be sent to you on all occasions when changes in parts occur, including interchangeable modifications between new parts and old ones.

5. NOTE

- 5-1. There are some different parts from those of production models among spare parts for the administrative reasons and common use of them with other models.
- 5-2. In respect of rubber hoses and vinyl tubes, please be sure to use them by cutting off according to the length mentioned on parts catalogue or what is actually required on the vehicle.
- 5-3. Note that the drawings on the illustration page are for ready reference of spare parts number, not to be used as an assembly manual.
When assembling, use "SUZUKI SERVICE MANUAL".

6. MODEL NAME AND ENGINE NUMBER

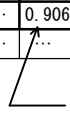
MODEL	DESTINATION	TYPE	TRANSOM	ENGINE No.
DF4A	P01	00403F	S, L	00403F-710001~
DF5A	P01	00503F	S, L	00503F-710001~
DF6A	P01	00603F	S, L	00603F-710001~

MILLIMETER → INCH CONVERSION CHART

	0	1	2	3	4	5	6	7	8	9
00	.000	.039	.079	.118	.157	.197	.236	.276	.315	.354
10	.394	.433	.472	.512	.551	.591	.630	.669	.709	.748
20	.787	.827	.866	.906	.945	.984	1.024	1.063	1.102	1.142
30	1.181	1.220	1.260	1.299	1.339	1.378	1.417	1.457	1.496	1.535
40	1.575	1.614	1.654	1.693	1.732	1.772	1.811	1.850	1.890	1.929
50	1.969	2.008	2.047	2.087	2.126	2.165	2.205	2.214	2.283	2.323
60	2.362	2.402	2.441	2.480	2.520	2.559	2.598	2.638	2.677	2.717
70	2.756	2.795	2.835	2.874	2.913	2.953	2.992	3.031	3.071	3.110
80	3.150	3.189	3.228	3.268	3.307	3.346	3.386	3.425	3.465	3.504
90	3.543	3.583	3.622	3.661	3.701	3.740	3.780	3.819	3.858	3.898

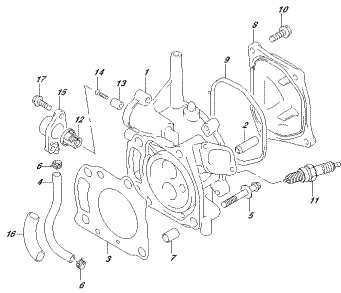
How to read

	0	1	2	3	4
00
10
20	0.906	...
30


 23 millimeters equal 0.906 inch

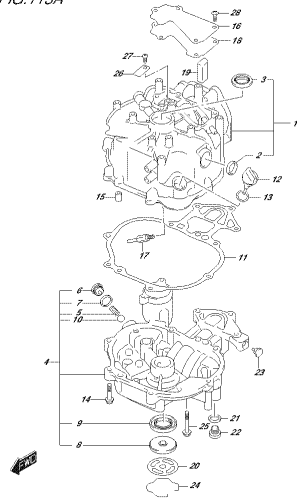
Contents are subject to change without notice or obligation.

FIG. 111A



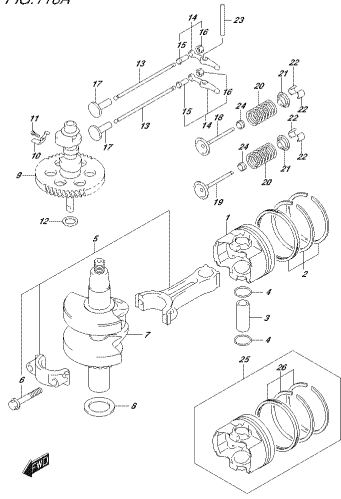
3F44L_S4_ML_P01_0127_111A
CARBURETOR HEAD

FIG. 113A



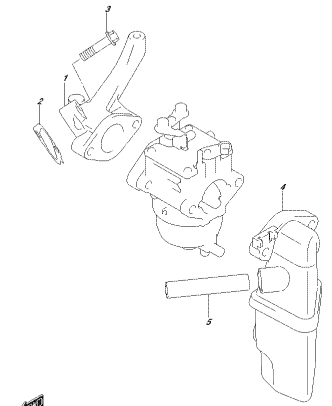
3F44L_S4_ML_P01_0127_113A
CARBURETOR BODY

FIG. 116A



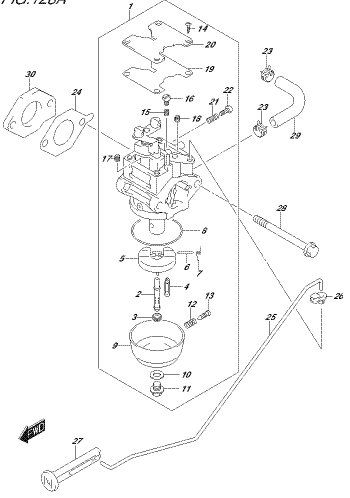
3F44L_S4_ML_P01_0127_116A
CARBURETOR BODY

FIG. 122A



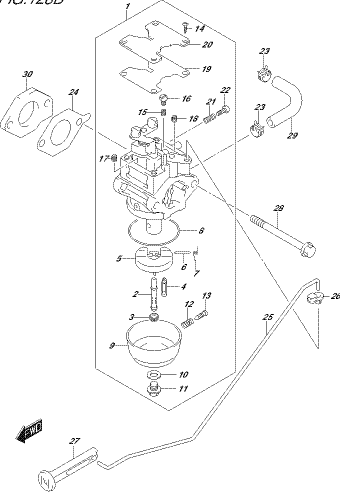
3F44L_S4_ML_P01_0127_122A
CARBURETOR BODY

FIG. 128A



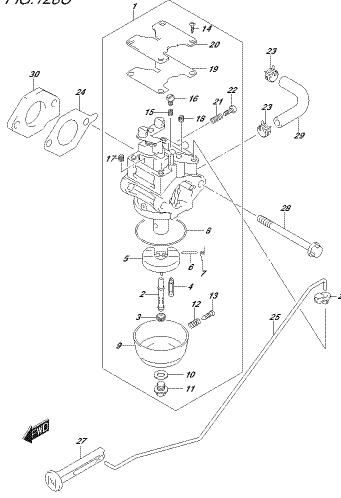
3F44L_S4_ML_P01_0127_128A
CARBURETOR BODY

FIG. 128B



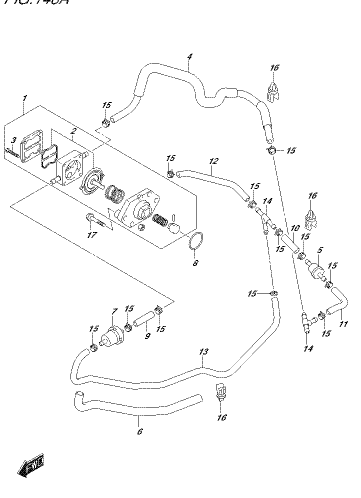
3F44L_S4_ML_P01_0127_128B
CARBURETOR BODY

FIG. 128C



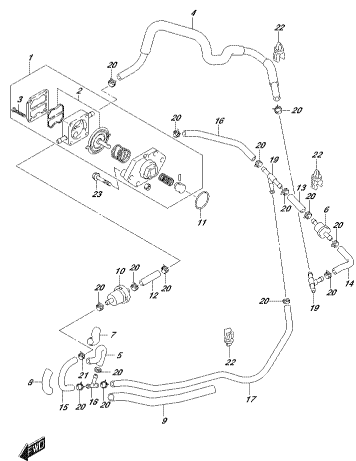
3F44L_S4_ML_P01_0127_128C
CARBURETOR BODY

FIG. 146A



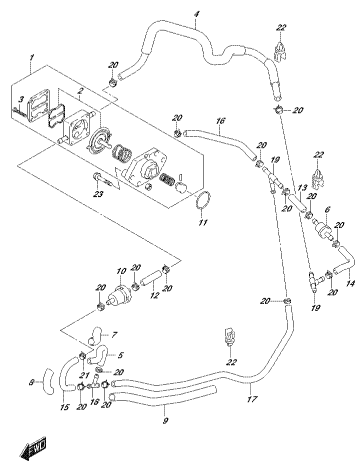
3F44L_S4_ML_P01_0127_146A
FUEL PUMP

FIG. 146B



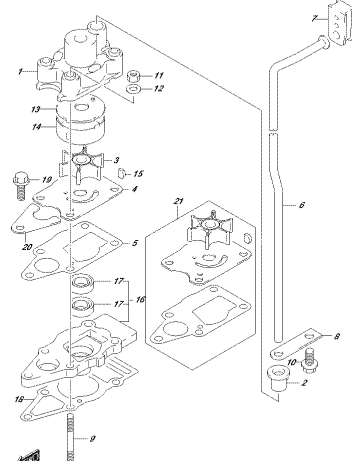
3244.04.04.P01.01Z.146B
ELEM. 02.00P

FIG. 146C



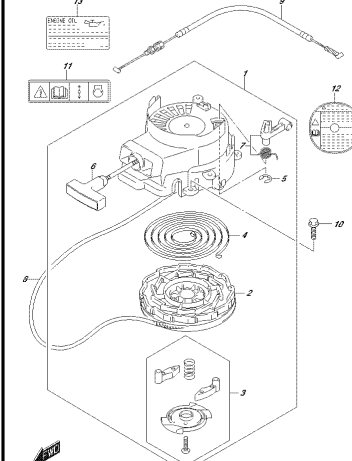
3244.04.04.P01.01Z.146C
ELEM. 02.00P

FIG. 160A



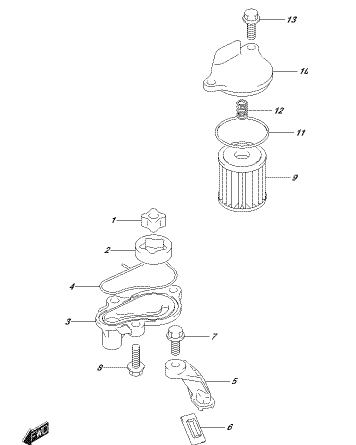
3244.04.04.P01.01Z.160A
ELEM. 02.00P

FIG. 167A



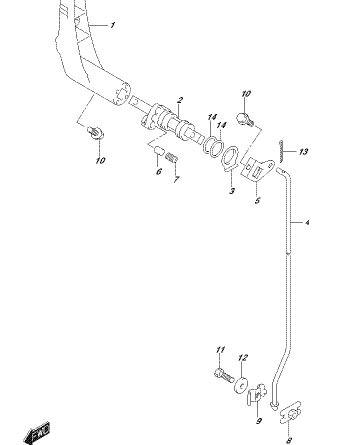
3244.04.04.P01.01Z.167A
ELEM. 02.00P

FIG. 175A



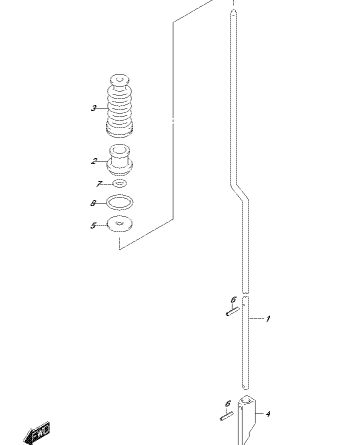
3244.04.04.P01.01Z.175A
ELEM. 02.00P

FIG. 208A



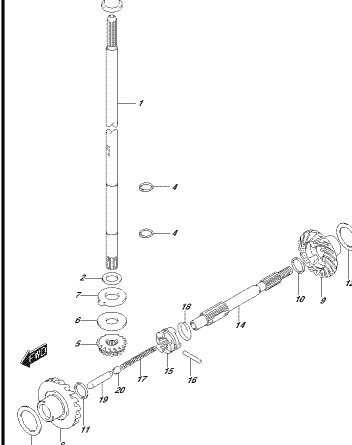
3244.04.04.P01.01Z.208A
ELEM. 02.00P

FIG. 210A



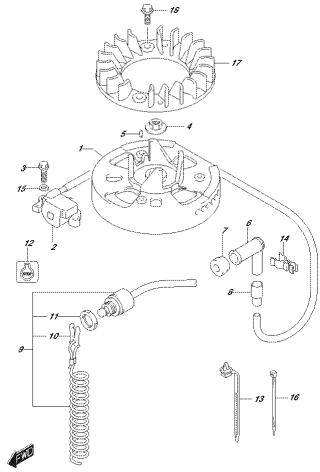
3244.04.04.P01.01Z.210A
ELEM. 02.00P

FIG. 230A



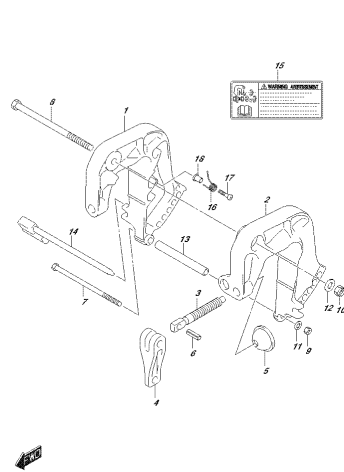
3244.04.04.P01.01Z.230A
ELEM. 02.00P

FIG.303A



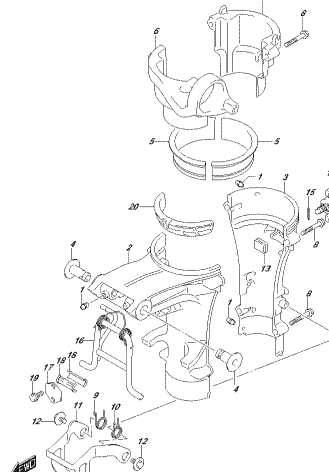
DF4L_S4_ML_P01_01Z_0034
MAGNETO

FIG.335A



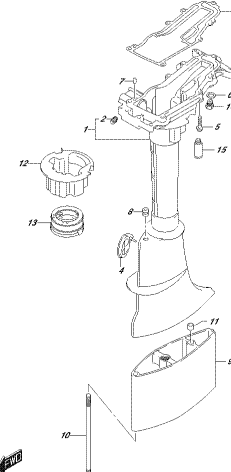
DF4L_S4_ML_P01_01Z_0034
D.449-294067

FIG.336A



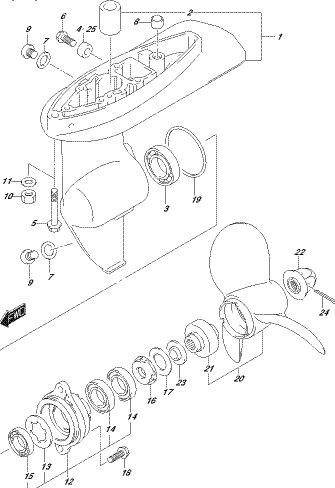
DF4L_S4_ML_P01_01Z_0034
D.449-294067

FIG.405A



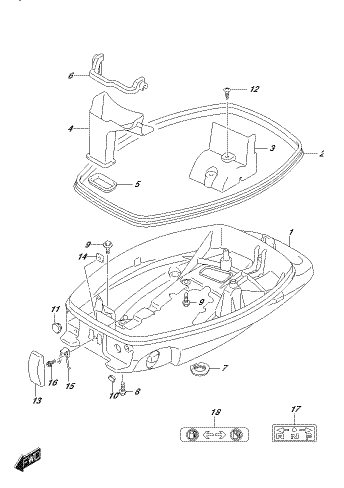
DF4L_S4_ML_P01_01Z_0034
D.302-30477-43-2962

FIG.407A



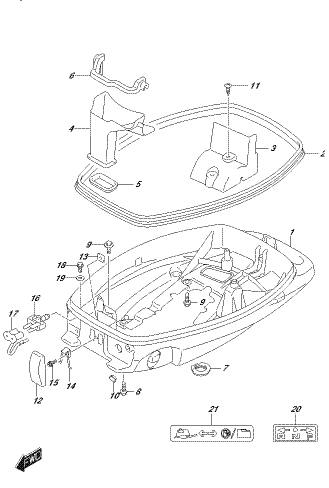
DF4L_S4_ML_P01_01Z_0034
GEAR CASE

FIG.412A



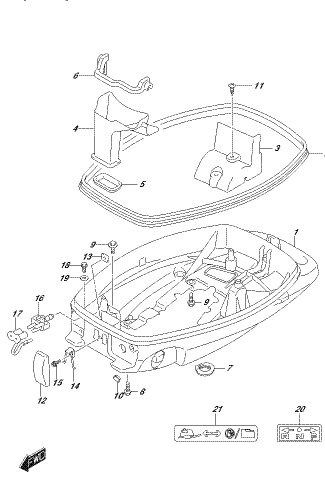
DF4L_S4_ML_P01_01Z_0104
LOWER COVER

FIG.412B



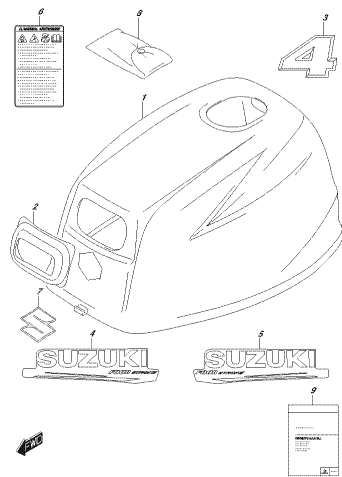
DF4L_S4_ML_P01_01Z_0109
LOWER COVER

FIG.412C



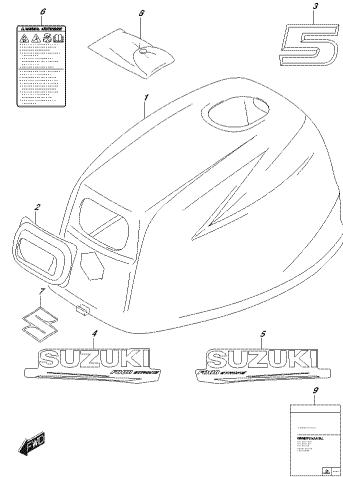
DF4L_S4_ML_P01_01Z_0100
LOWER COVER

FIG.420A



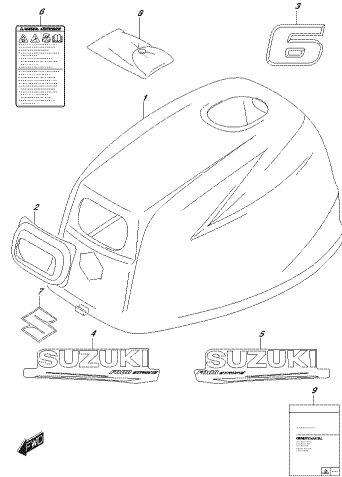
32F4L3A,3A,PA1,01Z,420A
ENGINE COVER

FIG.420B



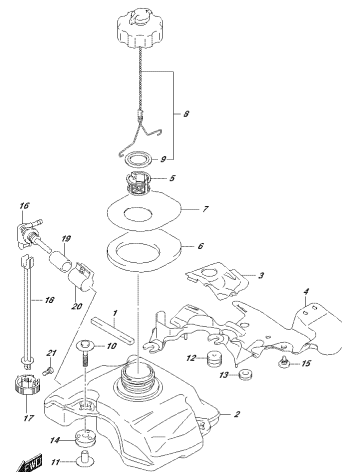
32F4L3A,3A,PA1,01Z,420B
ENGINE COVER

FIG.420C



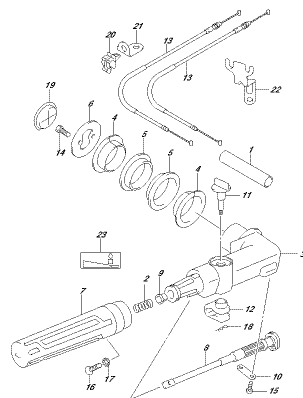
32F4L3A,3A,PA1,01Z,420C
ENGINE COVER

FIG.432A



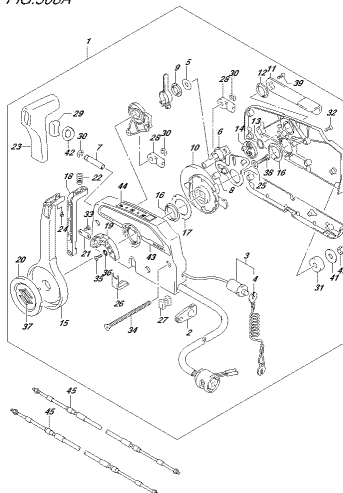
32F4L3A,3A,PA1,01Z,432A
SUE-504W

FIG.444A



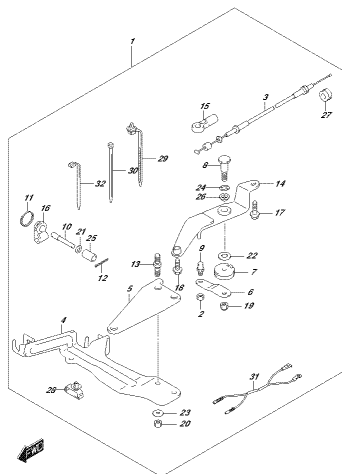
32F4L3A,3A,PA1,01Z,444A
TILLER HANDLE

FIG.508A



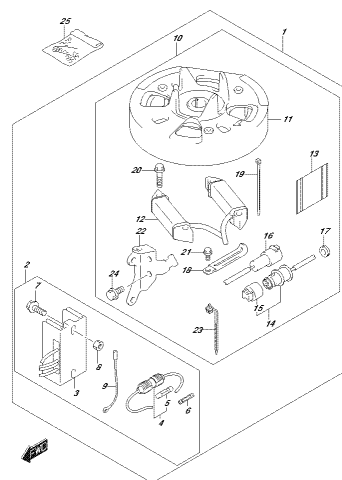
32F4L3A,3A,PA1,01Z,508A
OPT. PARABOLIC CONTROL

FIG.514A



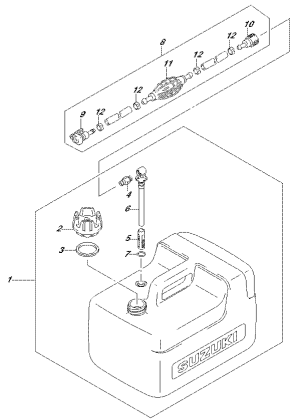
32F4L3A,3A,PA1,01Z,514A
OPT. PARABOLIC AXIS SET

FIG.550A



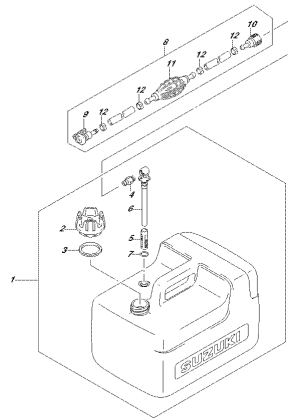
32F4L3A,3A,PA1,01Z,550A
OPT. PARABOLIC

FIG.583A



374L01_M_P1_017_883A
DTS:EE:7006

FIG.583B



374L01_M_P1_017_883B
DTS:EE:7006

FIG.111A

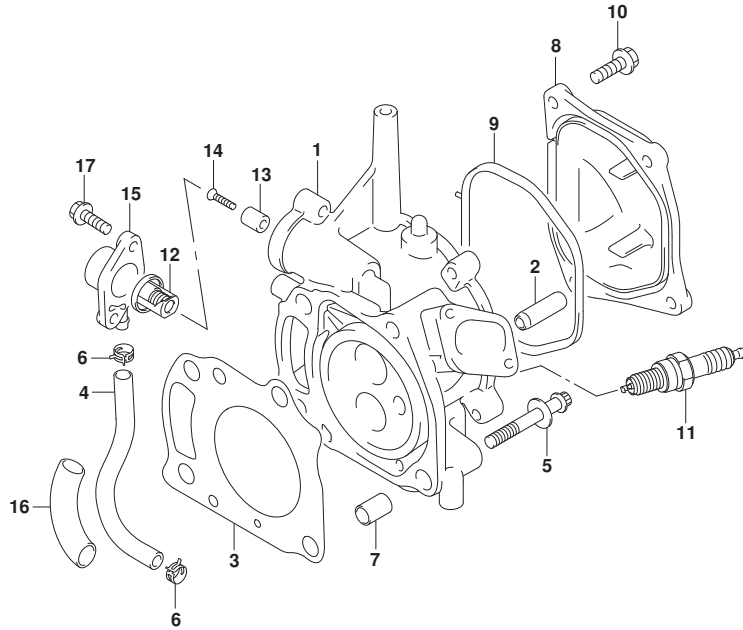


FIG.111A (1-B-2) CYLINDER HEAD

REF NO.	PART NO.	DESCRIPTION	Q'TY	REMARKS
1	11110-97L00	HEAD, CYLINDER	1	
2	11115-93E00-001	GUIDE, VALVE (OS:0.3)	2	OPT
3	11141-97L00	GASKET, CYLINDER HEAD	1	
4	09352-70113-600	HOSE (7X11X600)	1	L:600->150
5	11117-91JL0	BOLT, CYLINDER HEAD	4	
6	09401-10412	CLIP	2	
7	04211-11169	PIN	2	
8	11170-97L00	COVER, CYLINDER HEAD	1	
9	11189-97L00	GASKET, CYLINDER HEAD COVER	1	
10	01550-0620C	BOLT	4	
11	09482-00L04	SPARK PLUG (CPR6EA-9)	1	NGK
12	17670-91J00	THERMOSTAT (50C)	1	
13	55321-95J00	ANODE, PROTECTION	1	
14	09126-05011	SCREW (5X20)	1	
15	17680-97L00	COVER, THERMOSTAT	1	
16	33833-97L40	PROTECTOR, WATER HOSE RETURN	1	
17	01550-0620C	BOLT	2	



FIG.113A

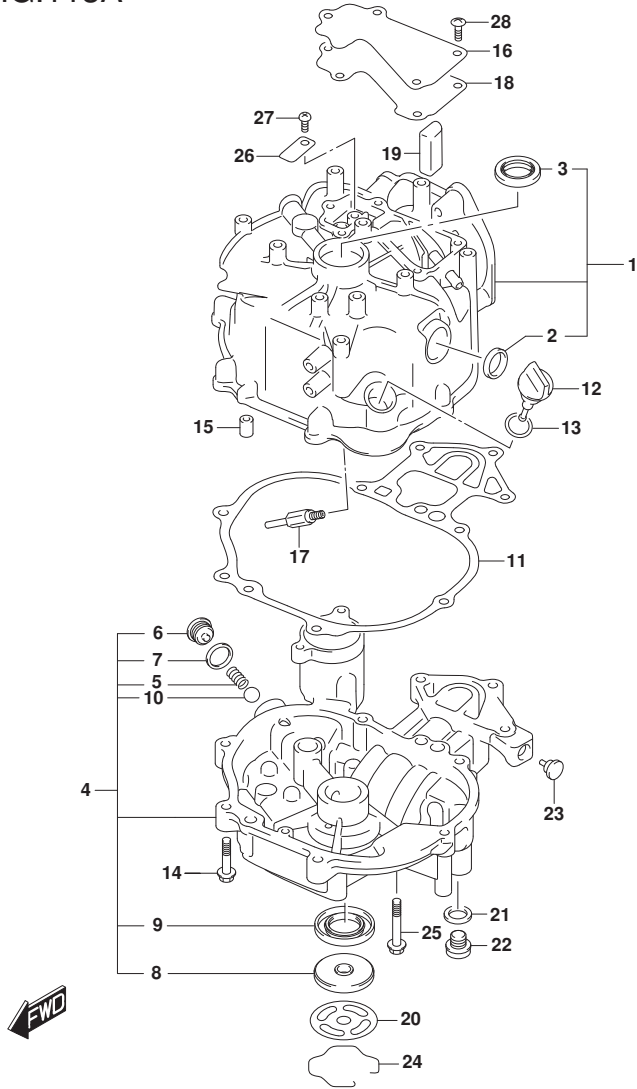


FIG.113A (1-B-3) CYLINDER BLOCK

REF NO.	PART NO.	DESCRIPTION	Q'TY	REMARKS
1	11200-97L00	BLOCK ASSY, CYLINDER	1	
2	11971-97L00	.LENS, OIL CHECK	1	
3	09283-21009	.OIL SEAL (19.7X33X6)	1	
4	11300-97L00	CASE ASSY, CRANKSHAFT	1	
5	16152-97L00	.SPRING, OIL RELIEF VALVE	1	
6	16153-97L00	.RETAINER, RELIEF VALVE SPRING	1	
7	09168-16009	.GASKET (16X22X0.8)	1	
8	09283-10009	.OIL SEAL (10X45X5)	1	
9	09283-25076	.OIL SEAL (25X45X5)	1	LOWER
10	06111-15004	.BALL	1	
11	11351-97L00	GASKET, CRANKCASE	1	
12	11381-91J10	GAUGE, OIL LEVEL (YELLOW)	1	
13	09280-15007	O RING (D:2.4, ID:15.8)	1	
14	01550-0630C	BOLT	8	
15	04211-09149	PIN	2	
16	11173-97L00	PLATE, BREATHER	1	
17	11177-97L00	PIPE, BREATHER OIL DRAIN	1	
18	11179-97L00	GASKET, BREATHER PLATE	1	
19	11186-97L00	SEPARATOR, OIL BREATHER	1	
20	11431-97L00	PLATE, UNDER OIL SEAL	1	
21	09168-12017	GASKET (12X17X1)	1	
22	09248-12009	PLUG (12X18.65)	1	
23	09321-08022	CUSHION	2	
24	09387-52002	RING	1	
25	01550-0640C	BOLT	1	
26	11452-91J00	VALVE, REED	1	
27	02112-0612A	SCREW	1	
28	02142-06127	SCREW	5	

FIG.116A

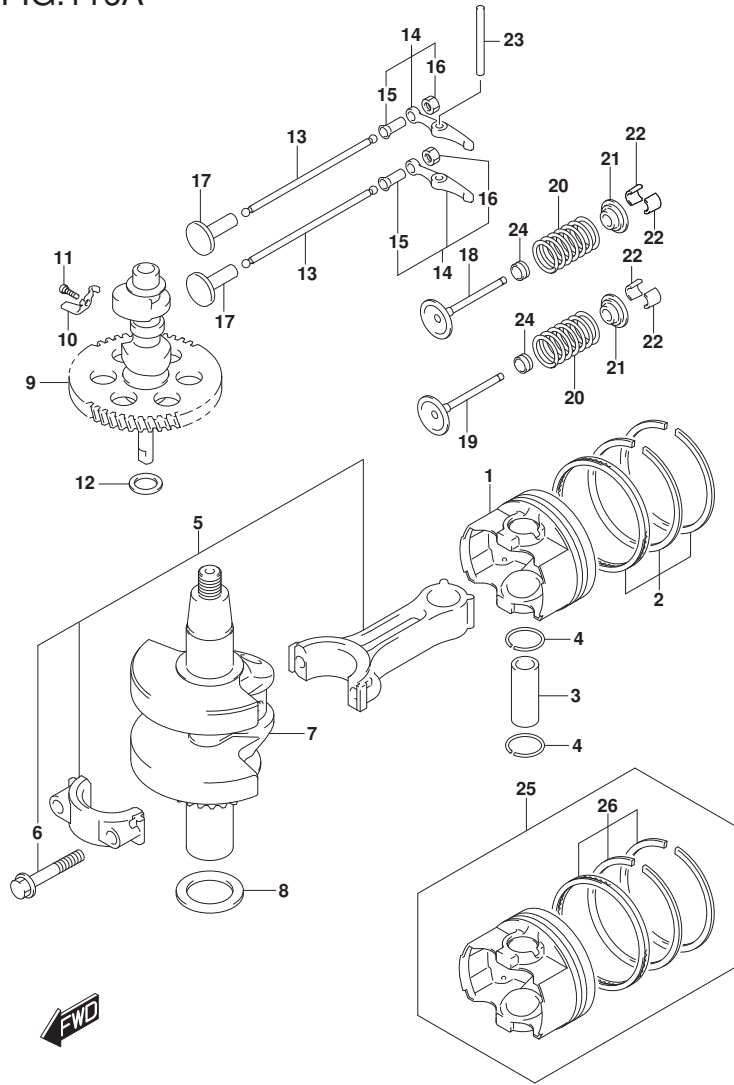


FIG.116A (1-B-4) CRANKSHAFT

REF NO.	PART NO.	DESCRIPTION	Q'TY	REMARKS
1	12111-89L00-0B0	PISTON	1	
2	12140-89L20	RING SET, PISTON	1	
3	12151-89L00	PIN, PISTON	1	
4	09381-16001	SNAP RING	2	
5	12160-97L00	CONNROD ASSY	1	
6	12163-97L00	.BOLT CONNROD	2	
7	12200-97L00	CRANKSHAFT ASSY	1	
8	08211-25361	WASHER	1	
9	12711-97L00	CAMSHAFT (NT:46)	1	
10	12951-91J01	CAM, DECOMPRESSION	1	
11	09106-02001	BOLT (2X9.8)	1	
12	08211-17251	WASHER	1	
13	12894-91JL0	ROD, PUSH	2	
14	12840-97L00	ARM ASSY, VALVE ROCKER	2	
15	12842-97L00	.SCREW, TAPPET ADJUSTING	2	
16	12843-27A00	.NUT, TAPPET ADJUSTING	2	
17	12891-87C00	TAPPET	2	
18	12911-91J01	VALVE, INTAKE	1	
19	12915-91J01	VALVE, EXHAUST	1	
20	12921-91J00	SPRING, VALVE	2	
21	12931-78G00	RETAINER, VALVE SPRING	2	
22	12932-24400	COTTER, VALVE	4	
23	09261-04021	SHAFT, VALVE ROCKER ARM	1	
24	09289-05012	OIL SEAL (5.5X11.5X9.3)	2	
25	12100-97L00-050	PISTON SET (OS:0.50)	1	OPT
26	12140-89L20-050	.RING SET, PISTON (OS:0.50)	1	OPT

FIG.122A

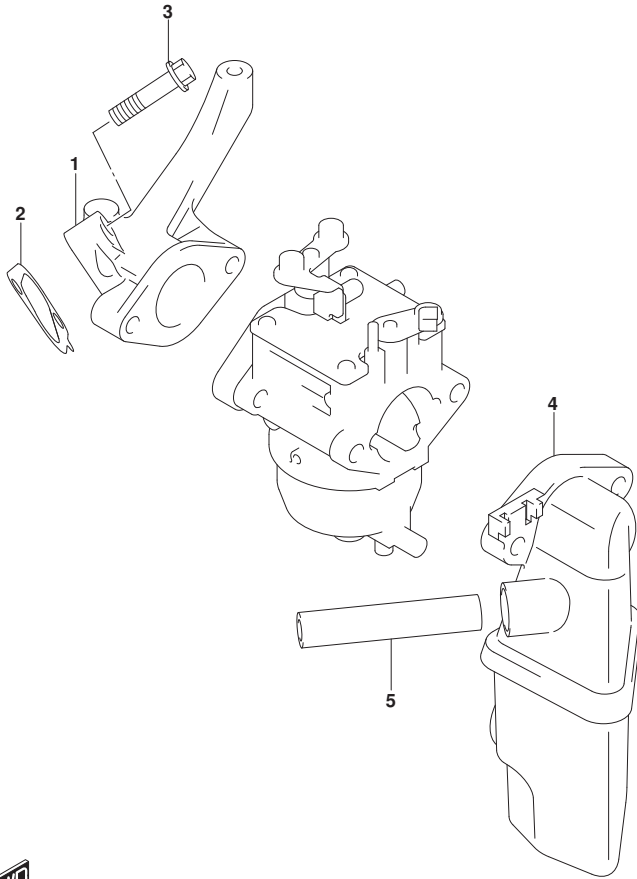


FIG.122A (1-B-5) INTAKE MANIFOLD

REF NO.	PART NO.	DESCRIPTION	Q'TY	REMARKS
1	13111-97L00	MANIFOLD, INTAKE	1	
2	13119-97L00	GASKET, INLET MANIFOLD	1	
3	01547-0625C	BOLT	2	
4	13810-97L00	SILENCER	1	
5	11174-97L00	HOSE, BREATHER	1	

FIG.128A

FIG.128A (1-B-6) CARBURETOR (DF4A P01)

REF NO.	PART NO.	DESCRIPTION	Q'TY	REMARKS
1	13200-97L00	CARBURETOR	1	
2	13236-97L00	.NOZZLE, MAIN	1	
3-1	09491-52L01	.JET, MAIN (52)	1	
3-2	09491-54L01	.JET, MAIN (54)	1	
4	13371-91J20	.VALVE, NEEDLE	1	
5	13250-97J20	.FLOAT	1	
6	13254-97J00	.PIN, FLOAT	1	
7	13268-97J30	.SPRING	1	
8	13251-97J00	.GASKET	1	
9	13245-97J00	.CHAMBER, FLOAT	1	
10	13249-97J00	.GASKET	1	
11	13247-97J00	.SCREW	1	
12	13268-97J10	.SPRING	1	
13	13616-97J00	.SCREW	1	
14	13267-97J00	.SCREW	4	
15-1	09492-32011	.JET, PILOT (32)	1	
15-2	09492-34004	.JET, PILOT (34)	1	
16	13267-97J10	.SCREW	1	
17	09493-26010	.JET, MAIN AIR (130)	1	
18	09493-85003	.JET, SLOW AIR (85)	1	
19	13249-97J10	.GASKET	1	
20	13248-97J00	.PLATE	1	
21	13268-97J20	.SPRING	1	
22	13534-97J10	.SCREW	1	
23	09401-09404	CLIP	2	
24	13125-91J10	GASKET, CARBURETOR	2	
25	13413-97L00	ROD, CHOKE	1	
26	13436-91J00	CONNECTOR, CHOKE ROD	1	
27	13631-97L00	KNOB, CHOKE	1	
28	09103-06521	BOLT	2	
29	09343-50L01-060	HOSE (5X10X60)	1	
30	13124-91JL0	INSULATOR, CARBURETOR	1	

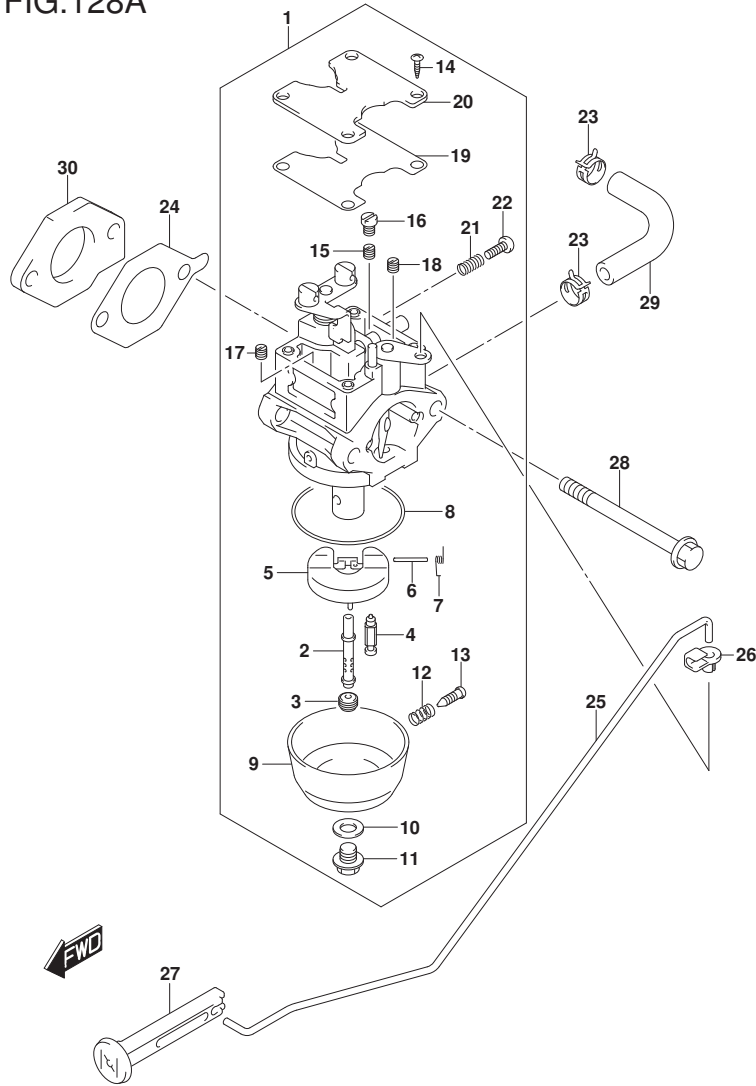


FIG.128B

FIG.128B (1-B-7) CARBURETOR (DF5A P01)

REF NO.	PART NO.	DESCRIPTION	Q'TY	REMARKS
1	13200-97L10	CARBURETOR	1	
2	13236-97L10	.NOZZLE, MAIN	1	
3-1	09491-64003	.JET, MAIN (64)	1	
3-2	09491-66005	.JET, MAIN (66)	1	
4	13371-91J20	.VALVE, NEEDLE	1	
5	13250-97J20	.FLOAT	1	
6	13254-97J00	.PIN, FLOAT	1	
7	13268-97J30	.SPRING	1	
8	13251-97J00	.GASKET	1	
9	13245-97J00	.CHAMBER, FLOAT	1	
10	13249-97J00	.GASKET	1	
11	13247-97J00	.SCREW	1	
12	13268-97J10	.SPRING	1	
13	13616-97J00	.SCREW	1	
14	13267-97J00	.SCREW	4	
15-1	09492-35035	.JET, PILOT (35)	1	
15-2	09492-37005	.JET, PILOT (37)	1	
16	13267-97J10	.SCREW	1	
17	09493-30007	.JET, MAIN AIR (150)	1	
18	09493-75001	.JET, SLOW AIR (75)	1	
19	13249-97J10	.GASKET	1	
20	13248-97J00	.PLATE	1	
21	13268-97J20	.SPRING	1	
22	13534-97J10	.SCREW	1	
23	09401-09404	CLIP	2	
24	13125-91J10	GASKET, CARBURETOR	2	
25	13413-97L00	ROD, CHOKE	1	
26	13436-91J00	CONNECTOR, CHOKE ROD	1	
27	13631-97L00	KNOB, CHOKE	1	
28	09103-06521	BOLT	2	
29	09343-50L01-060	HOSE (5X10X60)	1	
30	13124-91JL0	INSULATOR, CARBURETOR	1	

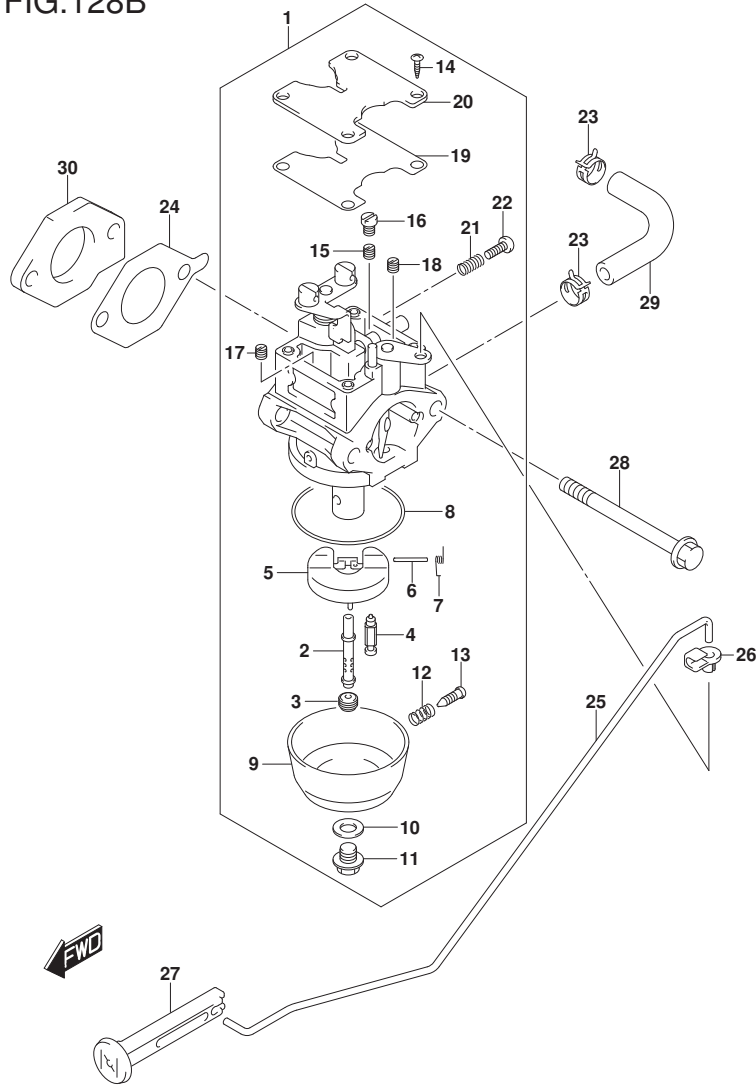


FIG.128C

FIG.128C (1-B-8) CARBURETOR (DF6A P01)

REF NO.	PART NO.	DESCRIPTION	Q'TY	REMARKS
1	13200-97L20	CARBURETOR	1	
2	13236-97L20	.NOZZLE, MAIN	1	
3-1	09491-70018	.JET, MAIN (70)	1	
3-2	09491-72015	.JET, MAIN (72)	1	
4	13371-91J20	.VALVE, NEEDLE	1	
5	13250-97J20	.FLOAT	1	
6	13254-97J00	.PIN, FLOAT	1	
7	13268-97J30	.SPRING	1	
8	13251-97J00	.GASKET	1	
9	13245-97J00	.CHAMBER, FLOAT	1	
10	13249-97J00	.GASKET	1	
11	13247-97J00	.SCREW	1	
12	13268-97J10	.SPRING	1	
13	13616-97J00	.SCREW	1	
14	13267-97J00	.SCREW	4	
15-1	09492-39003	.JET, PILOT (39)	1	
15-2	09492-41004	.JET, PILOT (41)	1	
16	13267-97J10	.SCREW	1	
17	09493-22L01	.JET, MAIN AIR (110)	1	
18	09493-80015	.JET, SLOW AIR (80)	1	
19	13249-97J10	.GASKET	1	
20	13248-97J00	.PLATE	1	
21	13268-97J20	.SPRING	1	
22	13534-97J10	.SCREW	1	
23	09401-09404	CLIP	2	
24	13125-91J10	GASKET, CARBURETOR	2	
25	13413-97L00	ROD, CHOKE	1	
26	13436-91J00	CONNECTOR, CHOKE ROD	1	
27	13631-97L00	KNOB, CHOKE	1	
28	09103-06521	BOLT	2	
29	09343-50L01-060	HOSE (5X10X60)	1	
30	13124-91JL0	INSULATOR, CARBURETOR	1	

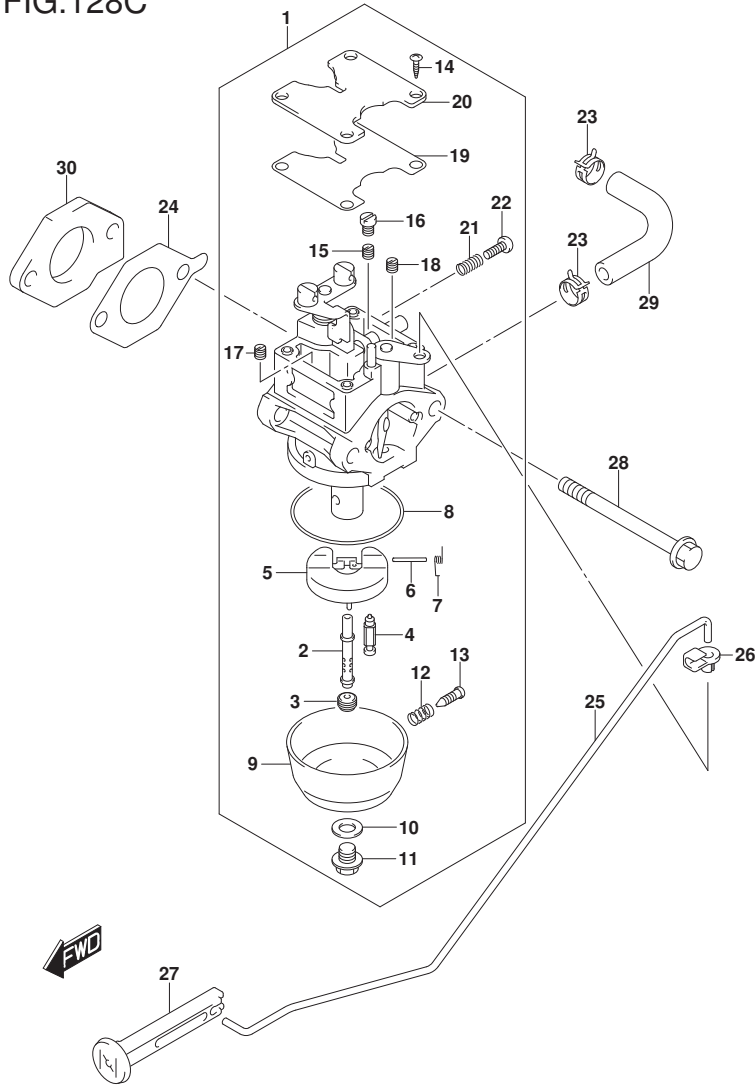


FIG.146A

FIG.146A (1-B-9) FUEL PUMP (DF4A P01)

REF NO.	PART NO.	DESCRIPTION	Q'TY	REMARKS
1	15100-91J02	PUMP ASSY, FUEL	1	
2	15170-91J01	.DIAPHRAGM SET	1	
3	15251-91J00	.SCREW	4	
4	15191-97L00	HOSE, FUEL (PUMP TO ELB2)	1	
5	15850-97L00	VALVE, FUEL RTN CHECK	1	
6	33833-97L30	PROTECTOR, FUEL HOSE	1	
7	44330-13H00	FILTER, FUEL	1	
8	09280-27006	O RING (D:2.ID:27.5)	1	
9	09343-50L01-040	HOSE (5X10X40)	1	FILTER TO PUMP
10	09343-50L01-040	HOSE (5X10X40)	1	3WAY TO VALVE
11	09343-50L01-080	HOSE (5X10X80)	1	VALVE TO 3WAY
12	09343-50L01-120	HOSE (5X10X120)	1	COCK TO 3WAY
13	09343-50L01-550	HOSE (5X10X550)	1	3WAY TO FILTER
14	09367-06007	3 WAY	2	
15	09401-09404	CLIP	12	
16	09403-09326	CLAMP	3	
17	01550-0630C	BOLT	2	

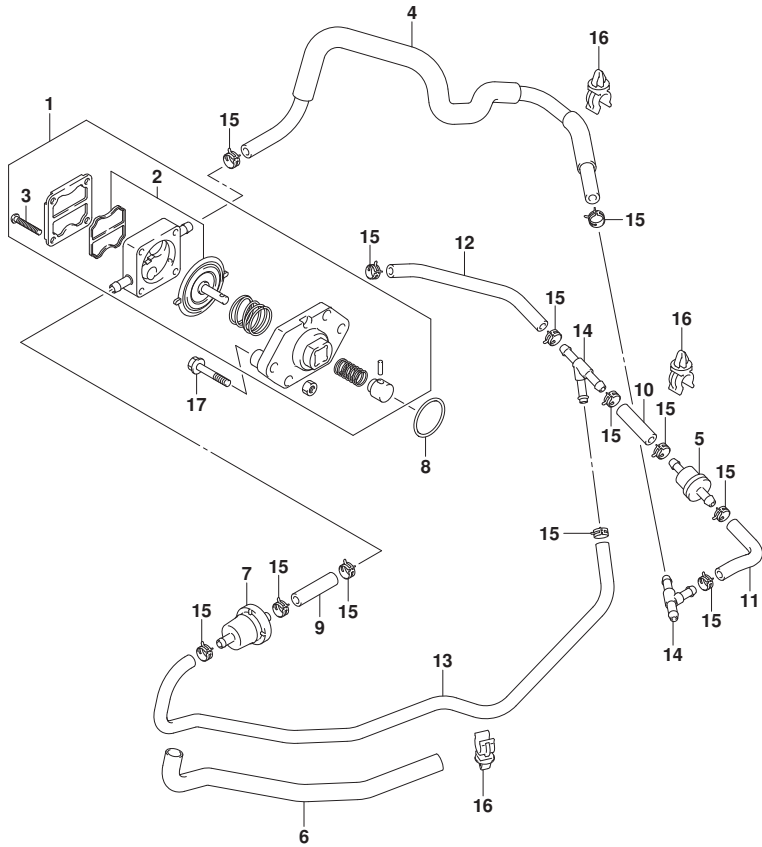


FIG.146B

FIG.146B (1-B-10) FUEL PUMP (DF5A P01)

REF NO.	PART NO.	DESCRIPTION	Q'TY	REMARKS
1	15100-91J02	PUMP ASSY, FUEL	1	
2	15170-91J01	.DIAPHRAGM SET	1	
3	15251-91J00	.SCREW	4	
4	15191-97L00	HOSE, FUEL (PUMP TO ELB2)	1	
5	15192-97L00	HOSE, FUEL (CONN TO ELB3)	1	
6	15850-97L00	VALVE, FUEL RTN CHECK	1	
7	33833-97L00	PROTECTOR, FUEL HOSE	1	
8	33833-97L10	PROTECTOR, FUEL HOSE	1	
9	33833-97L20	PROTECTOR, FUEL HOSE	1	
10	44330-13H00	FILTER, FUEL	1	
11	09280-27006	O RING (D:2, ID:27.5)	1	
12	09343-50L01-040	HOSE (5X10X40)	1	FILTER TO PUMP
13	09343-50L01-040	HOSE (5X10X40)	1	3WAY TO VALVE
14	09343-50L01-080	HOSE (5X10X80)	1	VALVE TO 3WAY
15	09343-50L01-110	HOSE (5X10X110)	1	JOINT,3WAY TO FILTER
16	09343-50L01-120	HOSE (5X10X120)	1	COCK TO 3WAY
17	09343-50L01-440	HOSE (5X10X440)	1	3WAY TO JOINT,3WAY
18	09367-06002	JOINT, 3 WAY	1	
19	09367-06007	3 WAY	2	
20	09401-09404	CLIP	15	
21	09401-11424	CLIP	1	
22	09403-09326	CLAMP	3	
23	01550-0630C	BOLT	2	

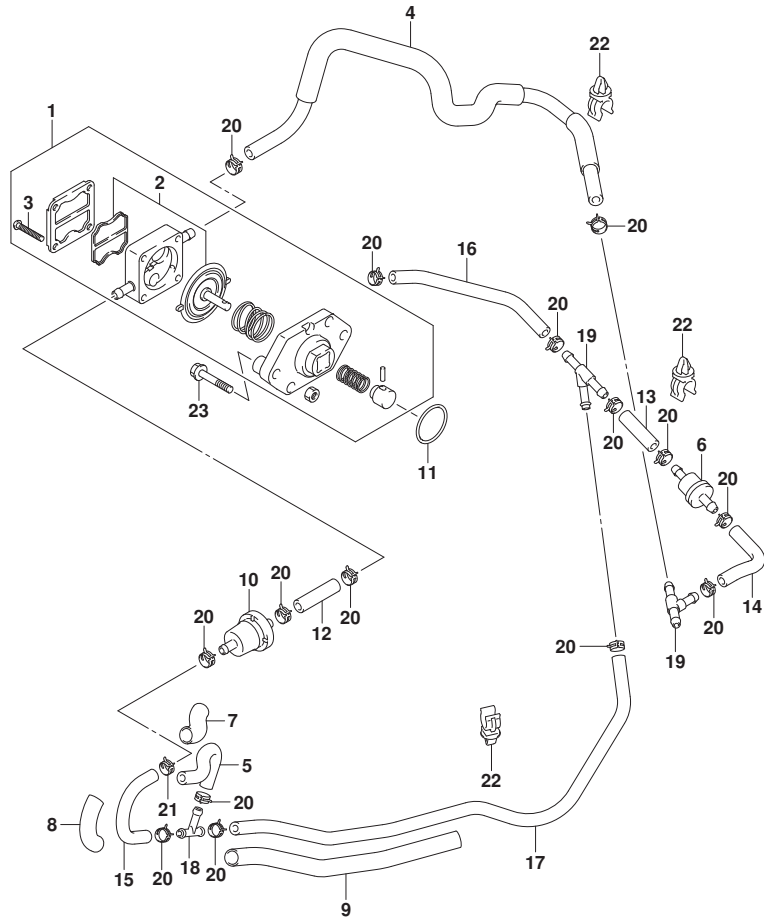


FIG.146C

FIG.146C (1-B-11) FUEL PUMP (DF6A P01)

REF NO.	PART NO.	DESCRIPTION	Q'TY	REMARKS
1	15100-91J02	PUMP ASSY, FUEL	1	
2	15170-91J01	.DIAPHRAGM SET	1	
3	15251-91J00	.SCREW	4	
4	15191-97L00	HOSE, FUEL (PUMP TO ELB2)	1	
5	15192-97L00	HOSE, FUEL (CONN TO ELB3)	1	
6	15850-97L00	VALVE, FUEL RTN CHECK	1	
7	33833-97L00	PROTECTOR, FUEL HOSE	1	
8	33833-97L10	PROTECTOR, FUEL HOSE	1	
9	33833-97L20	PROTECTOR, FUEL HOSE	1	
10	44330-13H00	FILTER, FUEL	1	
11	09280-27006	O RING (D:2, ID:27.5)	1	
12	09343-50L01-040	HOSE (5X10X40)	1	FILTER TO PUMP
13	09343-50L01-040	HOSE (5X10X40)	1	3WAY TO VALVE
14	09343-50L01-080	HOSE (5X10X80)	1	VALVE TO 3WAY
15	09343-50L01-110	HOSE (5X10X110)	1	JOINT,3WAY TO FILTER
16	09343-50L01-120	HOSE (5X10X120)	1	COCK TO 3WAY
17	09343-50L01-440	HOSE (5X10X440)	1	3WAY TO JOINT,3WAY
18	09367-06002	JOINT, 3 WAY	1	
19	09367-06007	3 WAY	2	
20	09401-09404	CLIP	15	
21	09401-11424	CLIP	1	
22	09403-09326	CLAMP	3	
23	01550-0630C	BOLT	2	

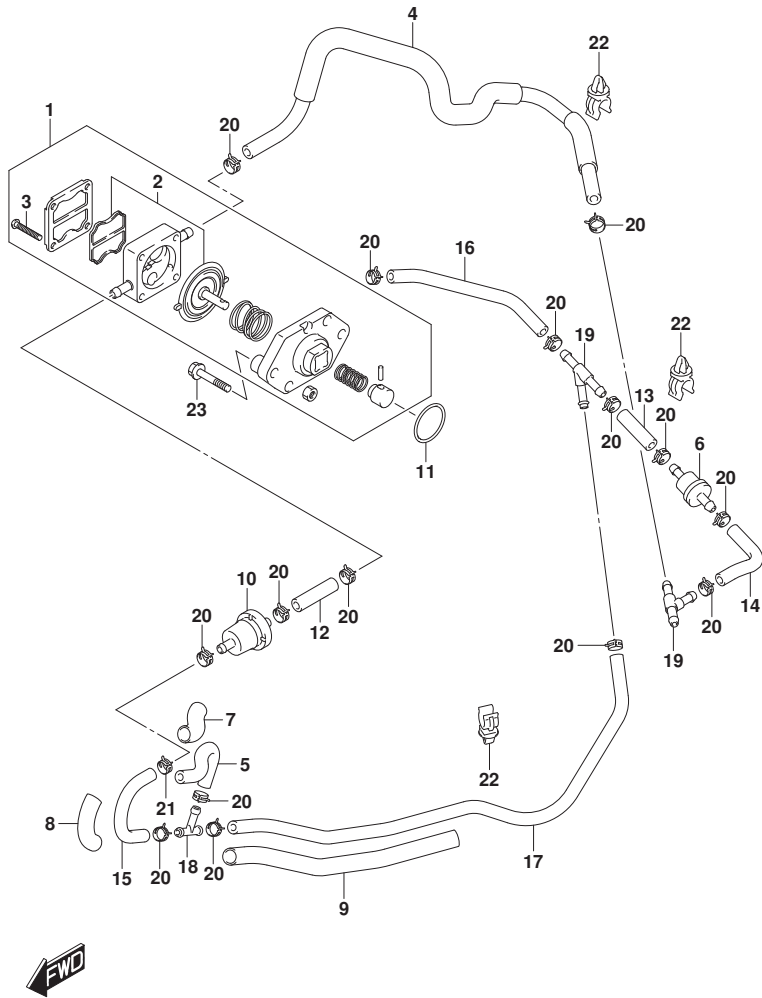
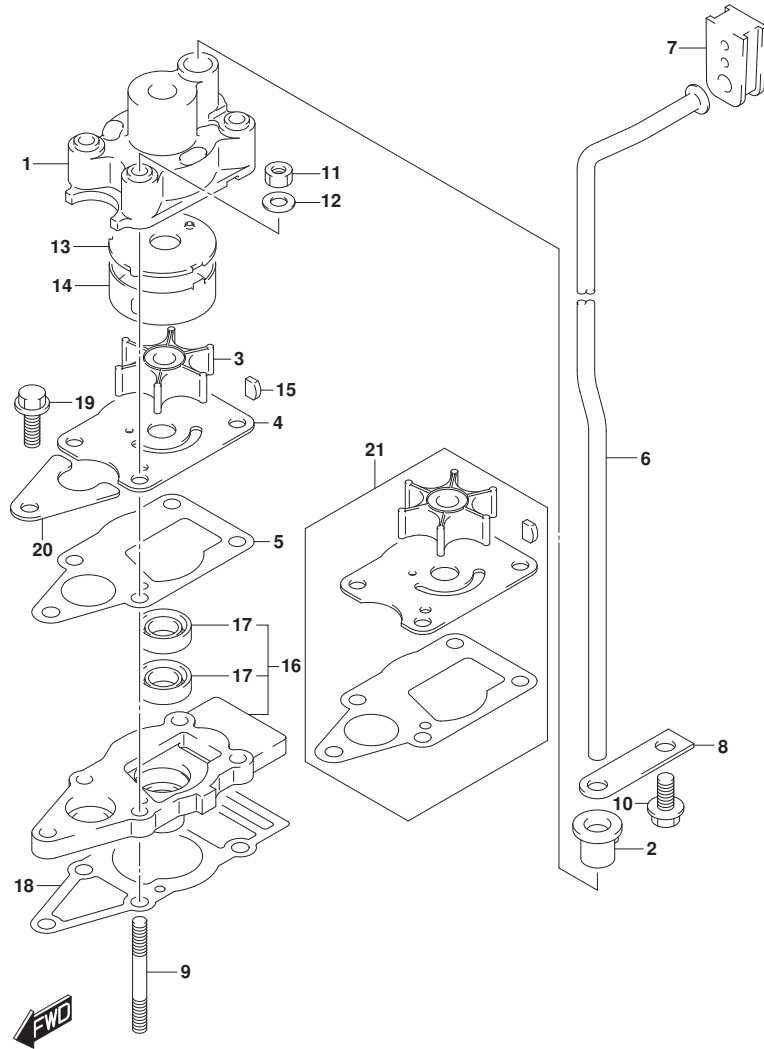


FIG.160A

FIG.160A (1-B-12) WATER PUMP



REF NO.	PART NO.	DESCRIPTION	Q'TY	REMARKS
1	17410-91JL0	CASE ASSY, WATER PUMP	1	
2	17415-98501	GROMMET, WATER PUMP CASE	1	
3	17461-985M0	IMPELLER, WATER PUMP	1	
4	17471-98610	PANEL, PUMP CASE UNDER	1	
5	17472-91J00	GASKET, PUMP CASE PANEL	1	
6-1	17561-97L00	TUBE, WATER (S)	1	W/TRANSOM(S)
6-2	17561-97L10	TUBE, WATER (L)	1	W/TRANSOM(L)
7	17563-97L00	GROMMET, WATER TUBE UPPER	1	
8	17564-98600	GUIDE, WATER TUBE	1	
9	09108-06146	STUD BOLT	4	
10	09116-06225	BOLT (6X15)	1	
11	29141-93J00	NUT	4	
12	09160-06082	WASHER (6.5X13X1.0)	4	
13	17412-91JL0	PANEL, WATER PUMP CASE UPPER	1	
14	17413-91JL0	SLEEVE, WATER PUMP CASE	1	
15	09420-03002	KEY	1	
16	56130-91J20	HOUSING ASSY, DRIVE SHAFT BRG	1	
17	09282-10008	.OIL SEAL (10X21X4.5)	2	
18	56132-91J00	GASKET, DRIVE SHAFT HOUSING	1	
19	09116-06229	BOLT (6X25)	1	
20	25215-98601	STOPPER, SHIFT ROD GUIDE	1	
21	17400-986L1	KIT, WATER PUMP REPAIR	1	OPT

FIG.167A

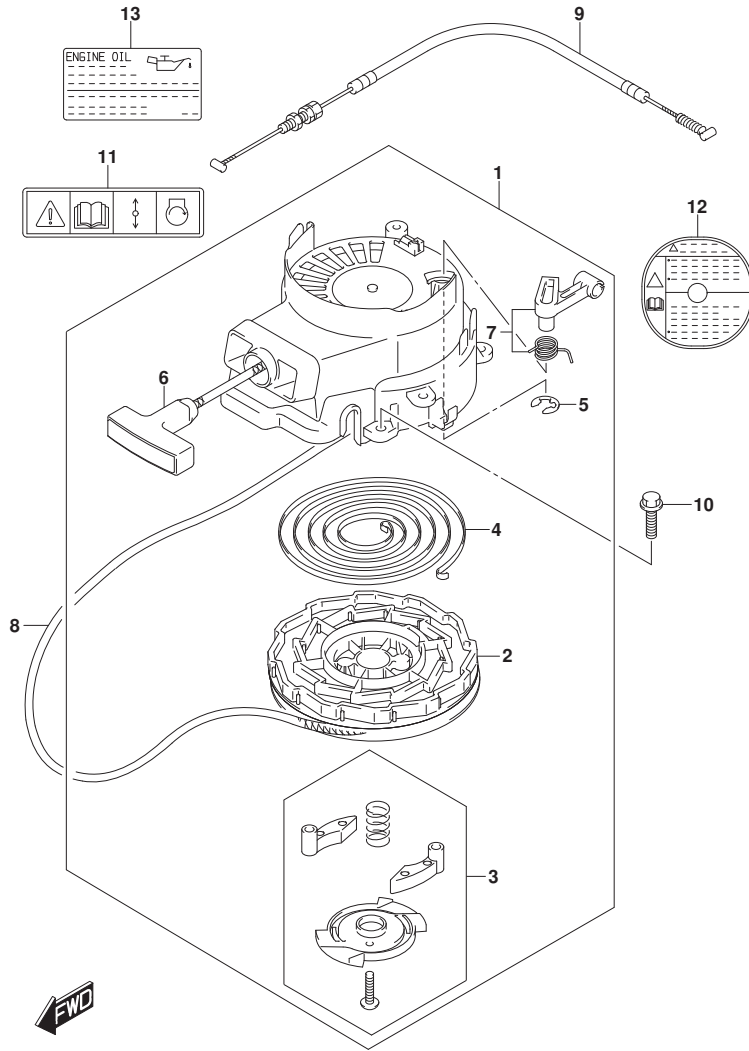


FIG.167A (1-B-13) RECOIL STARTER

REF NO.	PART NO.	DESCRIPTION	Q'TY	REMARKS
1	18100-97L00	STARTER ASSY, RECOIL	1	
2	18121-97L00	.REEL	1	
3	18130-97L00	.RATCHET SET	1	
4	18142-97L00	.SPRING, SPIRAL	1	
5	18178-98310	.CIRCLIP	1	
6	18210-95L00	.GRIP ASSY	1	
7	18280-91J00	.NSI SET	1	
8	99000-81157-50M	ROPE	1	OPT
9	18290-97L00	CABLE ASSY, NSI	1	L:50000->1200
10	01550-0620C	BOLT	3	
11	69711-91J10	LABEL, S.I.G.P	1	
12	61472-97L00	LABEL, RECOIL STARTER	1	
13	61494-97L00	LABEL, OIL & CLEARANCE	1	

FIG.175A

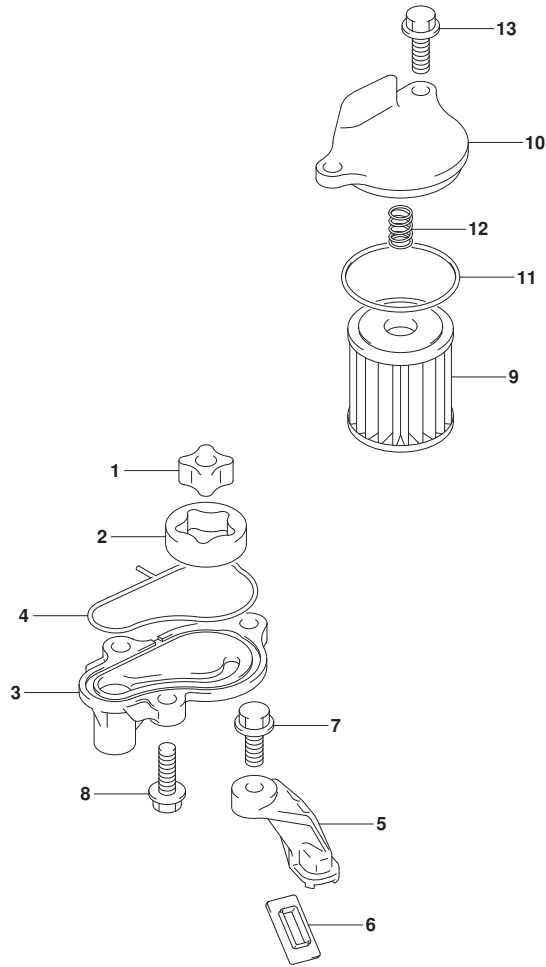


FIG.175A (1-B-14) OIL PUMP

REF NO.	PART NO.	DESCRIPTION	Q'TY	REMARKS
1	16131-97L00	ROTOR, OIL PUMP INNER	1	
2	16132-97L00	ROTOR, OIL PUMP OUTER	1	
3	16161-97L00	PLATE, OIL PUMP ROTOR	1	
4	16165-97L00	SEAL, OIL PUMP COVER	1	
5	16520-97L00	STRAINER, OIL	1	
6	16524-97L00	GROMMET, OIL STRAINER	1	
7	01550-0620A	BOLT	1	
8	01547-0620C	BOLT	3	
9	16510-16H11	FILTER, ENGINE OIL	1	
10	16512-97L00	CAP, OIL FILTER	1	
11	09280-39001	O RING (D:2.ID:38.5)	1	
12	09440-10038	SPRING	1	
13	01550-0616C	BOLT	2	

FIG.208A

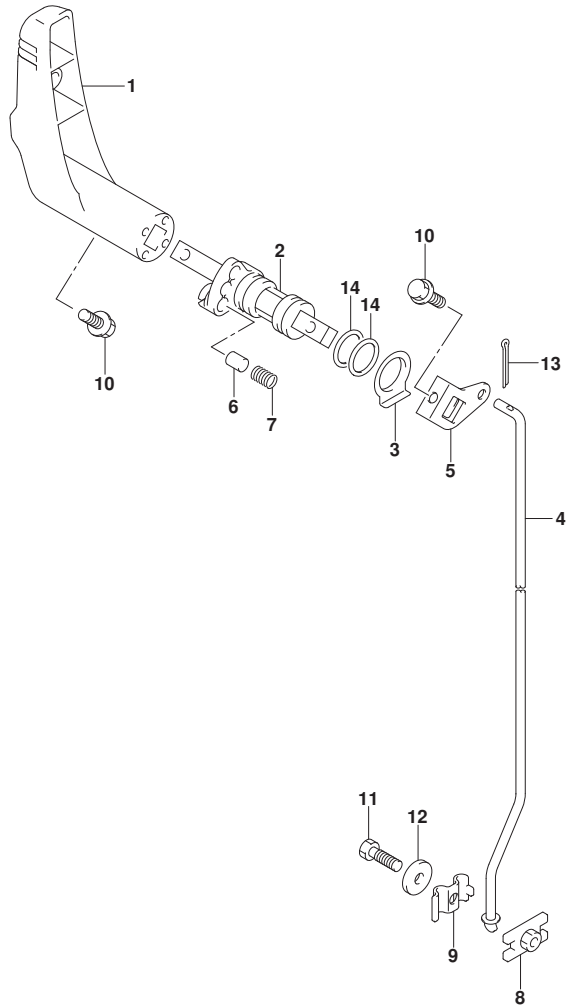


FIG.208A (1-B-15) CLUTCH LEVER

REF NO.	PART NO.	DESCRIPTION	Q'TY	REMARKS
1	21110-97L00	LEVER, CLUTCH	1	
2	21120-97L00	PLATE, CLUTCH NOTCH	1	
3	21216-91J00	SPACER, CLUTCH SHAFT	1	
4	23110-97L00	ROD, CLUTCH	1	
5	23210-91J00	ARM, CLUTCH ROD	1	
6	23212-91J00	PIN, CLUTCH NOTCH	1	
7	23213-91J00	SPRING, CLUTCH NOTCH	1	
8	23310-91J00	CONNECTOR, CLUTCH ROD NO.1	1	
9	23321-91J00	CONNECTOR, CLUTCH ROD NO.2	1	
10	09116-06227	BOLT (6X20)	2	
11	09128-06014	BOLT (6X20)	1	
12	09160-06145	WASHER (6.2X19X3)	1	
13	09204-01002	PIN	1	
14	09280-16005	O RING (D:2.4,ID:15.8)	2	

FIG.210A

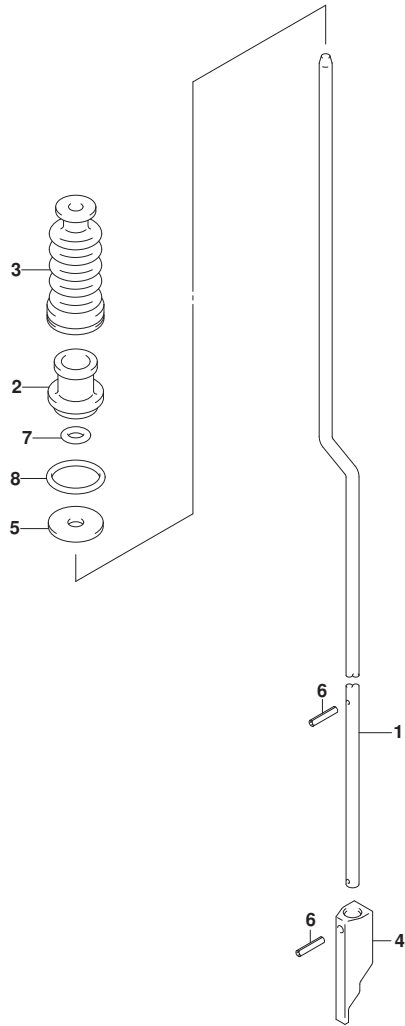


FIG.210A (1-C-2) SHIFT ROD

REF NO.	PART NO.	DESCRIPTION	Q'TY	REMARKS
1-1	25111-97L00	ROD, SHIFT (S)	1	W/TRANSOM(S)
1-2	25111-97L10	ROD, SHIFT (L)	1	W/TRANSOM(L)
2	25211-98601	GUIDE, SHIFT ROD	1	
3	25222-91JL0	BOOT, SHIFT ROD	1	
4	25311-91J01	CAM, SHIFT ROD	1	
5	09160-05501	WASHER (5.5X20X1.2)	1	
6	09205-02004	SPRING PIN (2.5X12)	2	
7	09280-05008	O RING (D:2.9,ID:4.8)	1	
8	09280-15007	O RING (D:2.4,ID:15.8)	1	

FIG.230A

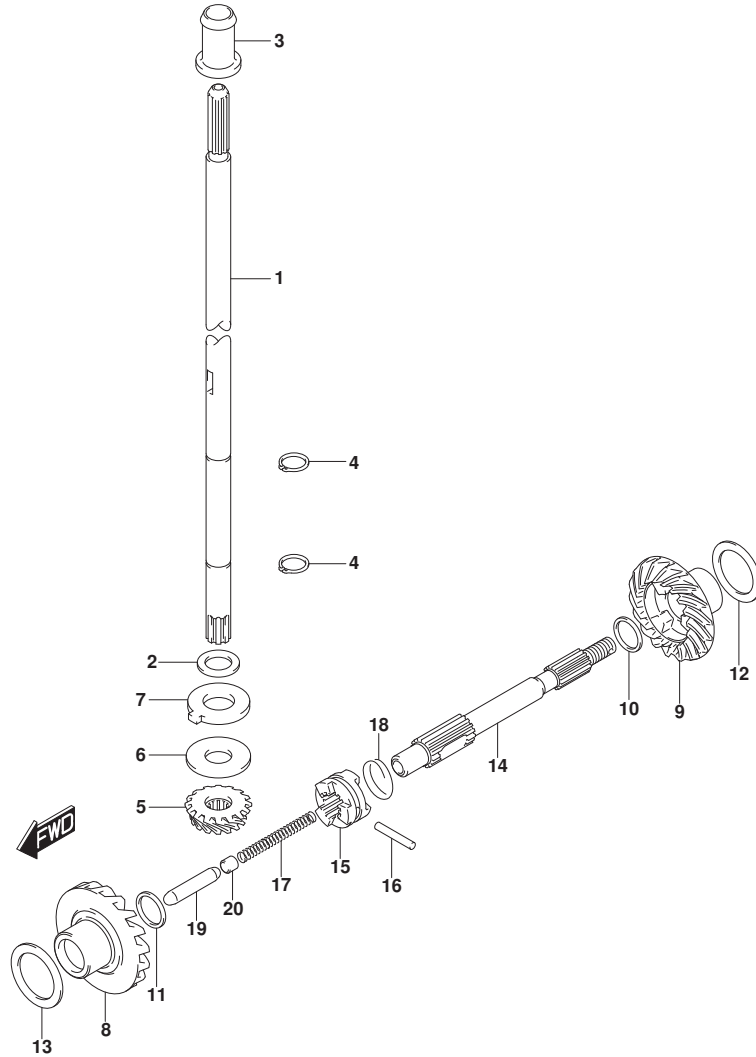


FIG.230A (1-C-3) DRIVE SHAFT

REF NO.	PART NO.	DESCRIPTION	Q'TY	REMARKS
1-1	57111-91J21	SHAFT, DRIVE (S)	1	W/TRANSOM(S)
1-2	57111-91J31	SHAFT, DRIVE (L)	1	W/TRANSOM(L)
2	09181-10156	SHIM (T:1.5)	1	
3	57130-91J00	BUSH, DRIVE SHAFT	1	W/TRANSOM(L)
4	09380-10003	CIRCLIP	2	
5	57311-91J00	PINION (NT:12)	1	
6-1	09160-10088	WASHER (10X24X1.7)	1	PINION ADJ
6-2	09160-10089	WASHER (10X24X1.8)	1	PINION ADJ
6-3	09160-10090	WASHER (10X24X1.9)	1	PINION ADJ
6-4	09160-10091	WASHER (10X24X2)	1	PINION ADJ
6-5	09160-10092	WASHER (10X24X2.1)	1	PINION ADJ
7	09166-12L01	WASHER	1	
8	57510-91J00	GEAR, FORWARD (NT:23)	1	
9	57520-97L00	GEAR, REVERSE (NT:23)	1	
10-1	59171-97L00	WASHER, PROP SFT REV THR (0.6)	1	
10-2	59171-97L10	WASHER, PROP SFT REV THR (0.8)	1	
10-3	59171-97L20	WASHER, PROP SFT REV THR (1.0)	1	
11	09181-12111	SHIM (T:1.0)	1	PROP SFT FWD
12-1	09181-12022	SHIM (T:1.3)	1	REV GEAR
12-2	09181-12023	SHIM (T:1.4)	1	REV GEAR
12-3	09181-12024	SHIM (T:1.5)	1	REV GEAR
12-4	09181-12017	SHIM (T:1.6)	1	REV GEAR
12-5	09181-12018	SHIM (T:1.7)	1	REV GEAR
13-1	09181-20162	SHIM (T:0.8)	1	FWD GEAR
13-2	09181-20164	SHIM (T:0.9)	1	FWD GEAR
13-3	09181-20167	SHIM (T:1.0)	1	FWD GEAR
13-4	09181-20172	SHIM (T:1.1)	1	FWD GEAR
13-5	09181-20176	SHIM (T:1.2)	1	FWD GEAR
14	57611-97L00	SHAFT, PROPELLER	1	
15	57621-986L0	SHIFTER, CLUTCH DOG	1	
16	09202-04016	PIN	1	
17	09440-05039	SPRING	1	
18	09440-24007	SPRING	1	
19	57631-98601	ROD, PUSH	1	
20	57632-97L00	PIN, PUSH	1	

FIG.303A

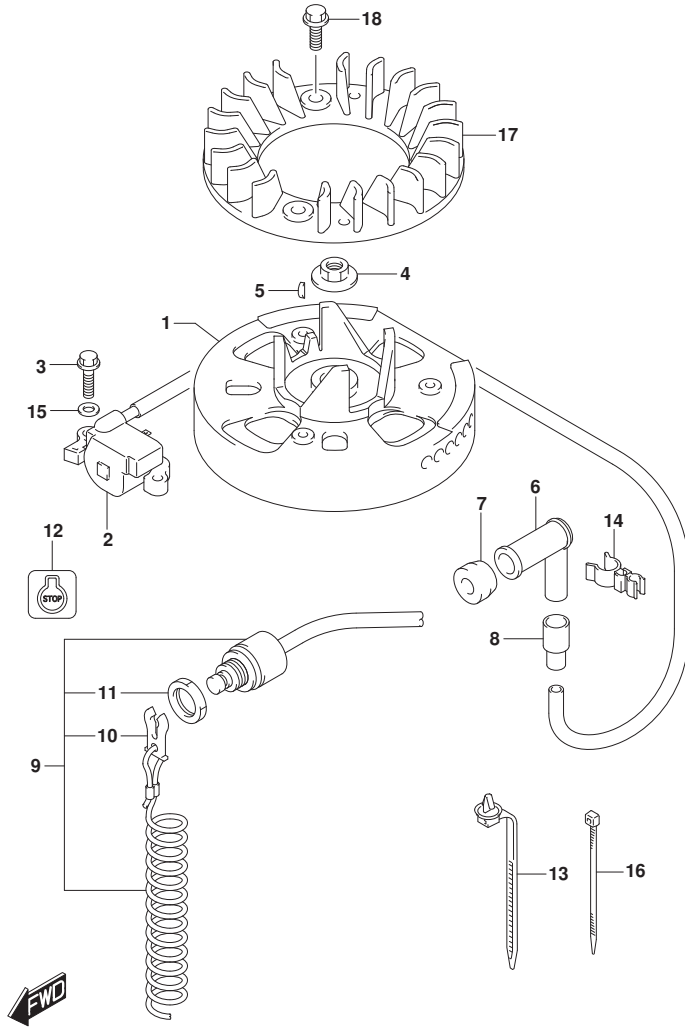


FIG.303A (1-C-4) MAGNETO

REF NO.	PART NO.	DESCRIPTION	Q'TY	REMARKS
1	32102-97L00	FLYWHEEL	1	
2	33410-97L00	IGNITER ASSY, MAGNETO	1	
3	01547-0620C	BOLT	2	
4	08316-1012A	NUT	1	
5	08341-31039	KEY	1	
6	33510-07H00	CAP, SPARK PLUG	1	
7	33541-16H00	SEAL, SPARK PLUG	1	
8	33542-07H00	SEAL, HIGH TENSION CORD	1	
9	37830-97L00	SWITCH, EMERGENCY	1	
10	37823-97J00	.PLATE, LOCK	1	
11	37826-97J00	.NUT	1	
12	37835-95D00	LABEL, STOP	1	
13	36991-94L00	CLAMP, HT CORD	1	
14	09408-00159	CLAMP	1	
15	08322-01067	WASHER	1	
16	09407-14407	CLAMP (L:145)	2	
17	17110-97L00	FAN, COOLING	1	
18	01550-0612C	BOLT	3	

FIG.335A

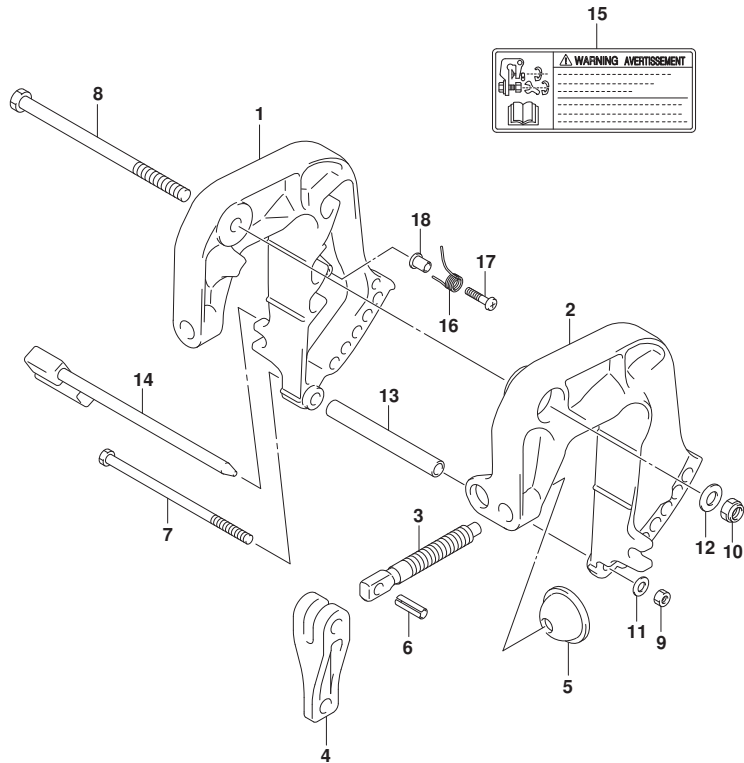


FIG.335A (1-C-5) CLAMP BRACKET

REF NO.	PART NO.	DESCRIPTION	Q'TY	REMARKS
1	41111-97L00-YAY	BRACKET, CLAMP STBD (BLACK)	1	
2	41121-97L00-YAY	BRACKET, CLAMP PORT (BLACK)	1	
3	41211-97L00	SCREW, CLAMP	2	
4	41212-91J00	HANDLE, CLAMP	2	
5	41213-94J01	PLATE, CLAMP	2	
6	09205-06021	SPRING PIN (6X25)	2	
7	09100-06176	BOLT (6X120)	1	
8	09100-08314	BOLT (8X140)	1	
9	29141-93J00	NUT	1	
10	09159-08059	NUT	1	
11	09160-06082	WASHER (6.5X13X1.0)	1	
12	09160-08059	WASHER(8.5X18X1.6)	1	
13	09180-06371	SPACER (6.5X10.5X92)	1	
14	45420-97L00	PIN, TILT LOCK	1	
15	69911-91J50	MARK, CLAMP BRACKET	1	
16	45717-97L00	SPRING	1	
17	09125-05143	SCREW (5X20)	1	
18	09180-05067	SPACER	1	



FIG.336A

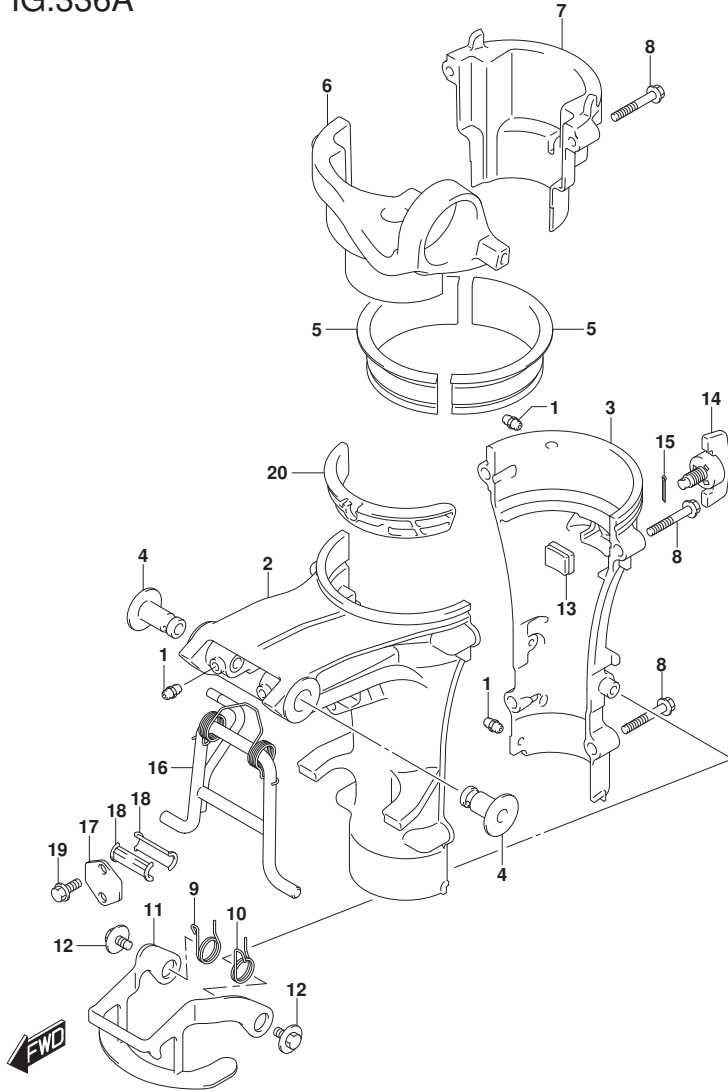


FIG.336A (1-C-6) SWIVEL BRACKET

REF NO.	PART NO.	DESCRIPTION	Q'TY	REMARKS
1	22511-99011	NIPPLE, GREASE	4	
2	43111-97L00-YAY	BRACKET, SWIVEL (BLACK)	1	
3	43121-97L00-YAY	COVER, SWIVEL BRACKET (BLACK)	1	
4	43211-97L00	BUSH, CLAMP BRKT BOLT	2	
5	43711-97L00	BUSH, STEERING UPPER	2	
6	43751-97L00-YAY	BRACKET, STEERING (BLACK)	1	
7	43752-97L00-YAY	COVER, STEERING BRKT (BLACK)	1	
8	09116-06234	BOLT (6X35)	6	
9	45211-97L00	SPRING, REVERSE LOCK ARM STBD	1	
10	45212-97L00	SPRING, REVERSE LOCK ARM PORT	1	
11	45230-97L00	ARM, REVERSE LOCK	1	
12	09116-06224	BOLT (6X12)	2	
13	43430-97L00	RUBBER, STEERING ADJUSTER	1	
14	43410-91J21	KNOB, STEERING ADJUSTER	1	
15	45247-99J00	PIN, REV LOCK ARM COTTER	1	
16	45710-97L00	ARM, SHALLOW WATER DRIVE	1	
17	45733-97L00	PLATE, SHALLOW DRIVE	1	
18	45751-97L00	BUSH, SHALLOW DRIVE WATER ARM	2	
19	09116-06226	BOLT (6X16)	2	
20	43417-97L00	SPACER, STEERING ADJUSTER	1	

FIG.405A

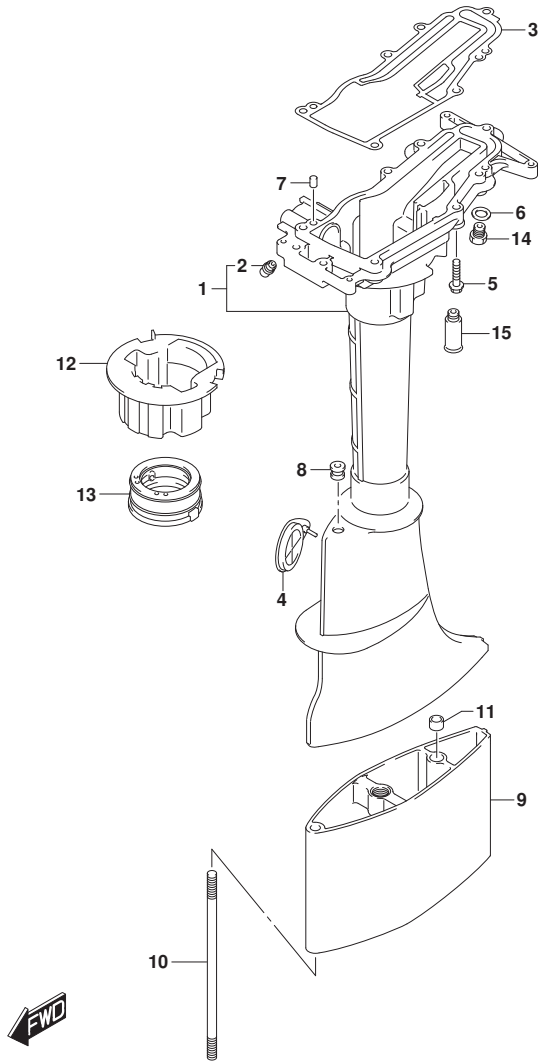


FIG.405A (1-C-7) DRIVE SHAFT HOUSING

REF NO.	PART NO.	DESCRIPTION	Q'TY	REMARKS
1	52110-97L00-YAY	HOUSING, DRIVE SHAFT (BLACK)	1	
2	22511-99011	.NIPPLE, GREASE	1	
3	52113-97L00	GASKET, DRIVE SHAFT HSG	1	
4	52115-98600	COVER, CLUTCH ADJUST HOLE	1	
5	09116-06233	BOLT (6X35)	7	
6	09168-10022	GASKET (10X17X1.5)	1	
7	09202-06023	PIN (6X10)	2	
8	09320-04010	BUSH	1	
9	52131-91J20-YAY	CASE, EXTENSION (BLACK)	1	W/TRANSOM(L)
10	09108-08092	STUD BOLT	2	W/TRANSOM(L)
11	09206-11006	PIN (8.4X11X8)	1	W/TRANSOM(L)
12	54132-97L00	RUBBER, MOUNT UPPER	1	
13	54162-97L00	RUBBER, MOUNT LOWER	1	
14	52117-97L00	TUBE, WATER INSPECTION	1	
15	55181-95200	ATTACHMENT, FLUSH HOSE	1	OPT

FIG.407A

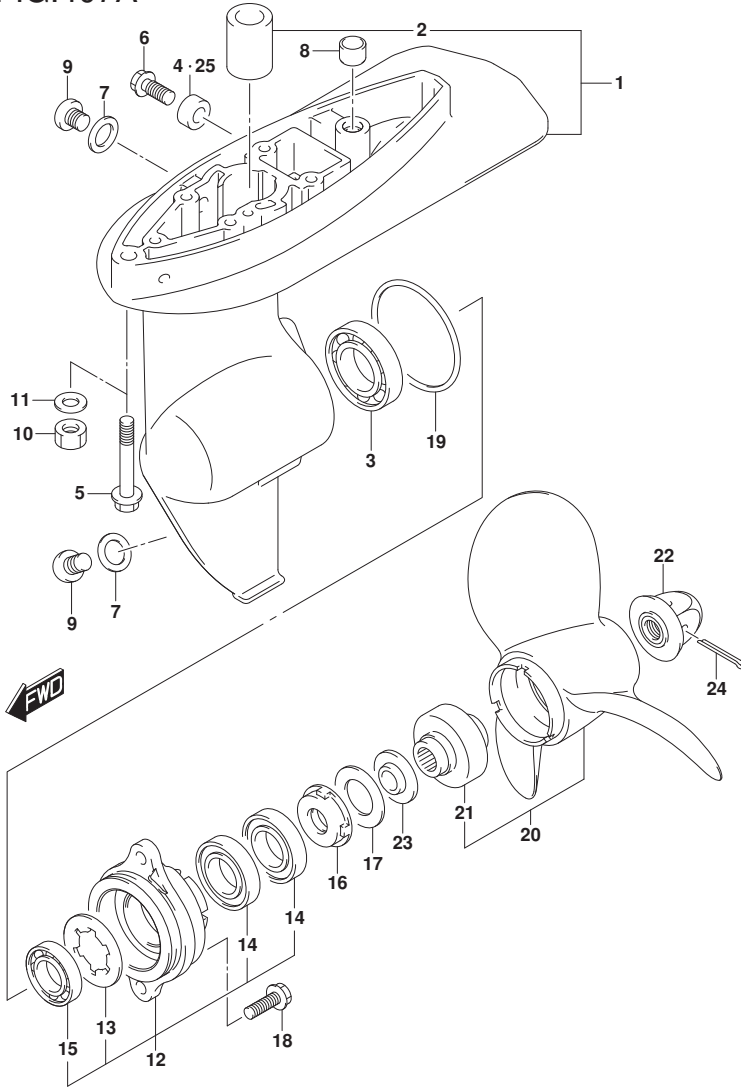


FIG.407A (1-C-8) GEAR CASE

REF NO.	PART NO.	DESCRIPTION	Q'TY	REMARKS
1	55110-97L00-YAY	CASE ASSY, GEAR (BLACK)	1	
2	59311-91J00	.BUSH	1	
3	09262-20106	BEARING (20X42X12)	1	
4	55321-87J01	ANODE, PROTECTION	1	
5	09116-08156	BOLT (8X50)	2	W/TRANSOM(S)
6	09103-06281	BOLT (6X14)	1	
7	59178-97J00	GASKET, DRAIN PLUG	2	
8	09206-11006	PIN (8.4X11X8)	1	
9	09248-08001	PLUG (8X7.5)	2	
10	09140-08023-XC0	NUT	2	W/TRANSOM(L)
11	09160-08082	WASHER (8.5X16X1.2)	2	W/TRANSOM(L)
12	56120-97L00-YAY	HOUSING, PROP SFT BRG (BLACK)	1	
13	09167-23001	.WASHER	1	
14	09282-12L05	.OIL SEAL (12X24X4.5)	2	
15	09262-12001	.BEARING (12X28X8)	1	
16	56122-98601	PROTECTOR, OIL SEAL	1	
17	56123-98600	WASHER, PROTECTOR	1	
18	09116-06225	BOLT (6X15)	2	
19	09280-49002	O RING (D:2.6,ID:48.7)	1	
20-1	58110-91JL0-019	PROPELLER (3X7-1/2X6) (BLACK)	1	
20-2	58110-91JM0-019	PROPELLER (3X7-1/2X6-1/2) (BLACK)	1	
20-3	58110-91JN0-019	PROPELLER (3X7-1/2X7) (BLACK)	1	
21	58120-91JL0	.BUSH, PROPELLER	1	
22	58130-91JL0	NUT, PROPELLER	1	
23	57635-97L00	STOPPER, PROPELLER BUSH	1	
24	09204-03003	COTTER PIN	1	
25	55321-87J11	ANODE (MAGNESIUM)	1	OPT

FIG.412A

FIG.412A (1-C-9) LOWER COVER (DF4A P01)

REF NO.	PART NO.	DESCRIPTION	Q'TY	REMARKS
1	61110-97L00-QGF	COVER, ENGINE LOWER (BLACK)	1	
2	61112-97L00	RUBBER, ENGINE LOWER COVER	1	
3	61117-97L00	COVER, AIR INTAKE LOWER	1	
4	61133-97L00	DUCT, AIR VENT	1	
5	61135-97L00	CUSHION, AIR VENT DUCT LOWER	1	
6	61137-97L00	CUSHION, AIR VENT DUCT UPPER	1	
7	61189-97L00	GROMMET, OIL DRAIN	1	
8	09116-06227	BOLT (6X20)	2	
9	09116-06509	BOLT (6X20)	4	
10	09250-10010	CAP (OD:15)	1	
11	09250-12006	CAP (OD:20)	1	
12	03542-05169	SCREW	1	
13	61611-91J11	FASTENER, ENGINE COVER	2	
14	61626-97L00	NUT, FASTENER LEVER	2	
15	61640-91J10	LEVER, FASTENER	2	
16	09106-05035	BOLT (5X14)	2	
17	21131-96010	MARK, CLUTCH SHIFT	1	
18	61211-97L10	MARK, FUEL COCK	1	

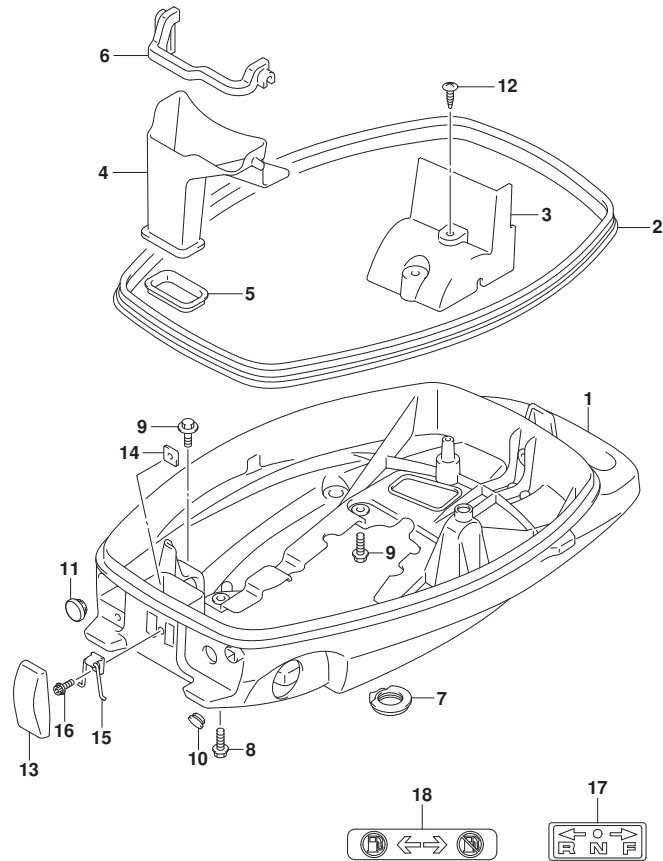


FIG.412B

FIG.412B (1-C-10) LOWER COVER (DF5A P01)

REF NO.	PART NO.	DESCRIPTION	Q'TY	REMARKS
1	61110-97L00-QGF	COVER, ENGINE LOWER (BLACK)	1	
2	61112-97L00	RUBBER, ENGINE LOWER COVER	1	
3	61117-97L00	COVER, AIR INTAKE LOWER	1	
4	61133-97L00	DUCT, AIR VENT	1	
5	61135-97L00	CUSHION, AIR VENT DUCT LOWER	1	
6	61137-97L00	CUSHION, AIR VENT DUCT UPPER	1	
7	61189-97L00	GROMMET, OIL DRAIN	1	
8	09116-06227	BOLT (6X20)	2	
9	09116-06509	BOLT (6X20)	4	
10	09250-10010	CAP (OD:15)	1	
11	03542-05169	SCREW	1	
12	61611-91J11	FASTENER, ENGINE COVER	2	
13	61626-97L00	NUT, FASTENER LEVER	2	
14	61640-91J10	LEVER, FASTENER	2	
15	09106-05035	BOLT (5X14)	2	
16	65720-986L0	PLUG, FUEL CONNECTOR	1	
17	65727-91JL0	CAP, FUEL CONNECTOR PLUG	1	
18	09103-06237	BOLT (6X12.5)	1	
19	09160-06085	WASHER (6.5X15X1)	1	
20	21131-96010	MARK, CLUTCH SHIFT	1	
21	61211-97L00	MARK, FUEL COCK	1	

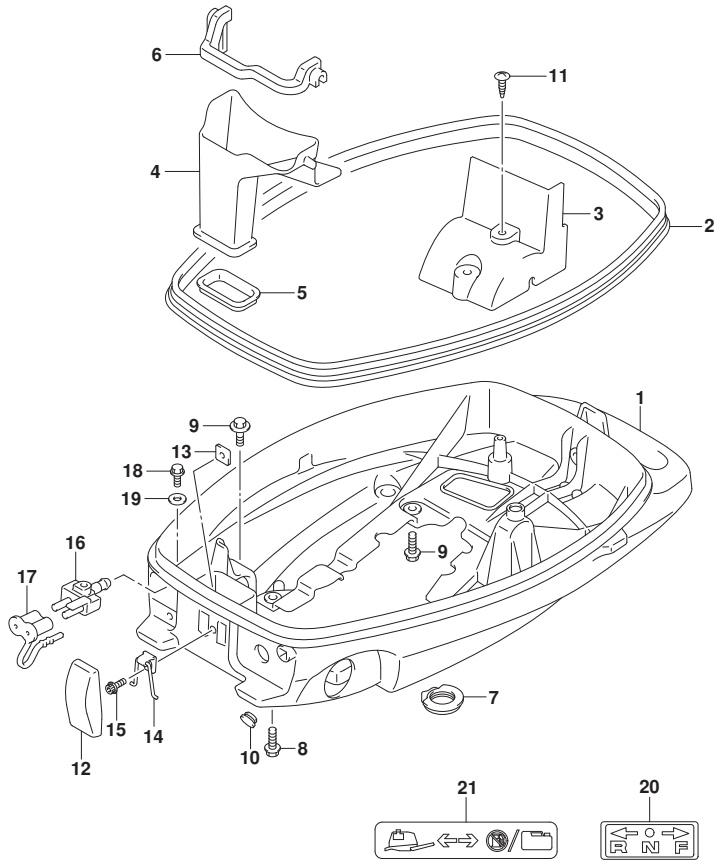


FIG.412C

FIG.412C (1-C-11) LOWER COVER (DF6A P01)

REF NO.	PART NO.	DESCRIPTION	Q'TY	REMARKS
1	61110-97L00-QGF	COVER, ENGINE LOWER (BLACK)	1	
2	61112-97L00	RUBBER, ENGINE LOWER COVER	1	
3	61117-97L00	COVER, AIR INTAKE LOWER	1	
4	61133-97L00	DUCT, AIR VENT	1	
5	61135-97L00	CUSHION, AIR VENT DUCT LOWER	1	
6	61137-97L00	CUSHION, AIR VENT DUCT UPPER	1	
7	61189-97L00	GROMMET, OIL DRAIN	1	
8	09116-06227	BOLT (6X20)	2	
9	09116-06509	BOLT (6X20)	4	
10	09250-10010	CAP (OD:15)	1	
11	03542-05169	SCREW	1	
12	61611-91J11	FASTENER, ENGINE COVER	2	
13	61626-97L00	NUT, FASTENER LEVER	2	
14	61640-91J10	LEVER, FASTENER	2	
15	09106-05035	BOLT (5X14)	2	
16	65720-986L0	PLUG, FUEL CONNECTOR	1	
17	65727-91JL0	CAP, FUEL CONNECTOR PLUG	1	
18	09103-06237	BOLT (6X12.5)	1	
19	09160-06085	WASHER (6.5X15X1)	1	
20	21131-96010	MARK, CLUTCH SHIFT	1	
21	61211-97L00	MARK, FUEL COCK	1	

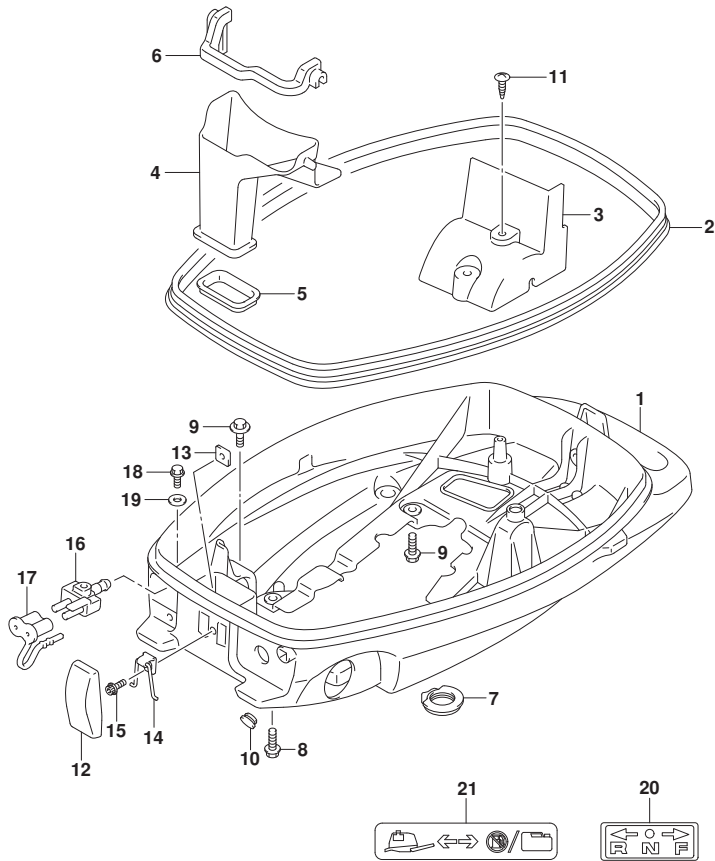


FIG.420A

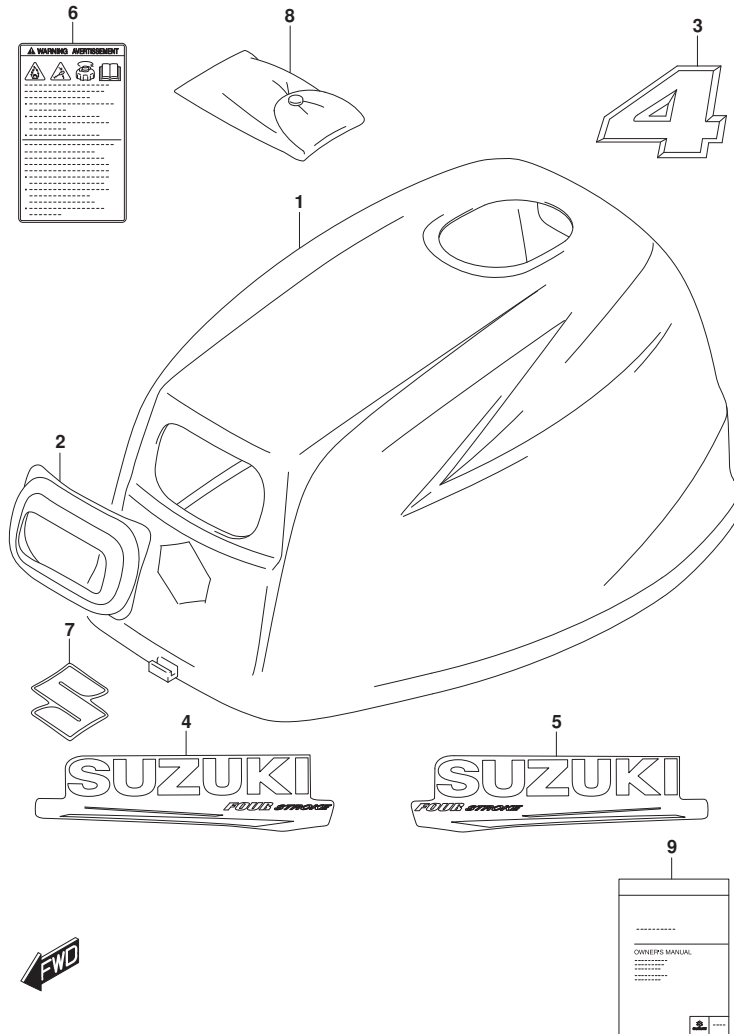


FIG.420A (1-C-12) ENGINE COVER (DF4A P01)

REF NO.	PART NO.	DESCRIPTION	Q'TY	REMARKS
1	61411-97L00-QGF	COVER, ENGINE UPPER (BLACK)	1	
2	61622-97L00	SEAL, RECOIL STARTER	1	
3	61435-97L00	MARK, EMBLEM REAR (4)	1	
4	61443-97L00	STRIPE, ENGINE COVER STBD	1	
5	61453-97L00	STRIPE, ENGINE COVER PORT	1	
6	61458-97J70	LABEL, ENGINE COVER	1	
7	77811-54GB0-0PG	EMBLEM "S" (CHROME)	1	
8	09800-01007	TOOL ASSY	1	
9	99011-97L00-055	MANUAL, OWNER'S	1	

FIG.420B

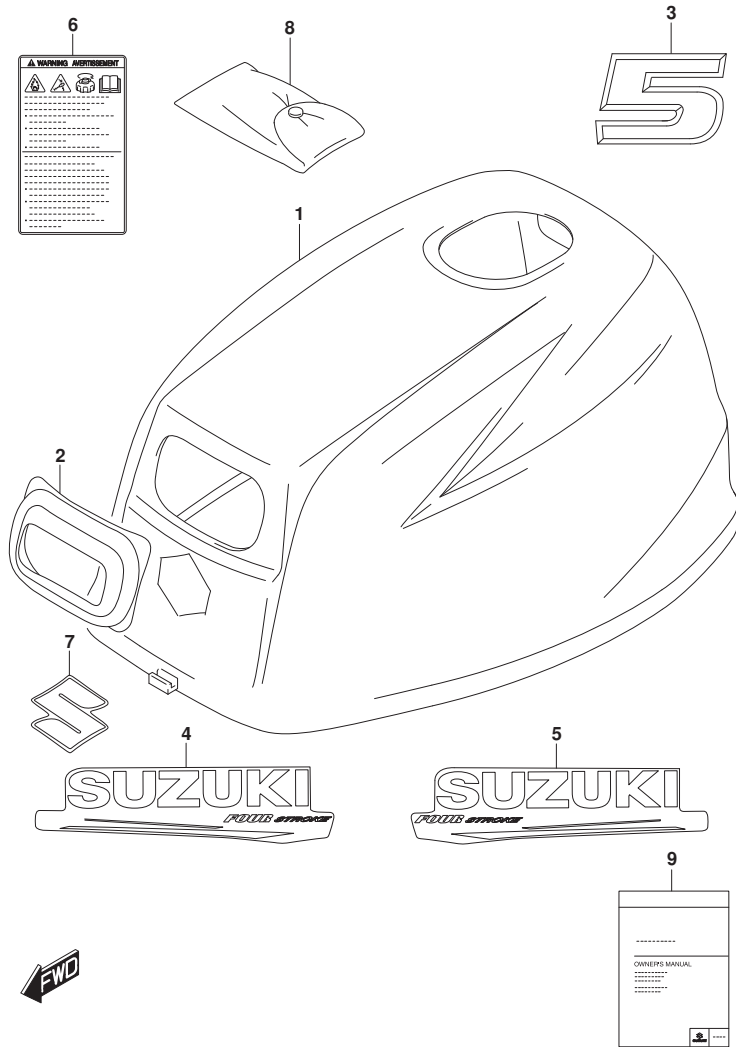


FIG.420B (1-C-13) ENGINE COVER (DF5A P01)

REF NO.	PART NO.	DESCRIPTION	Q'TY	REMARKS
1	61411-97L00-QGF	COVER, ENGINE UPPER (BLACK)	1	
2	61622-97L00	SEAL, RECOIL STARTER	1	
3	61435-97L10	MARK, EMBLEM REAR (5)	1	
4	61443-97L00	STRIPE, ENGINE COVER STBD	1	
5	61453-97L00	STRIPE, ENGINE COVER PORT	1	
6	61458-97J70	LABEL, ENGINE COVER	1	
7	77811-54GB0-0PG	EMBLEM "S" (CHROME)	1	
8	09800-01007	TOOL ASSY	1	
9	99011-97L00-055	MANUAL, OWNER'S	1	

FIG.420C

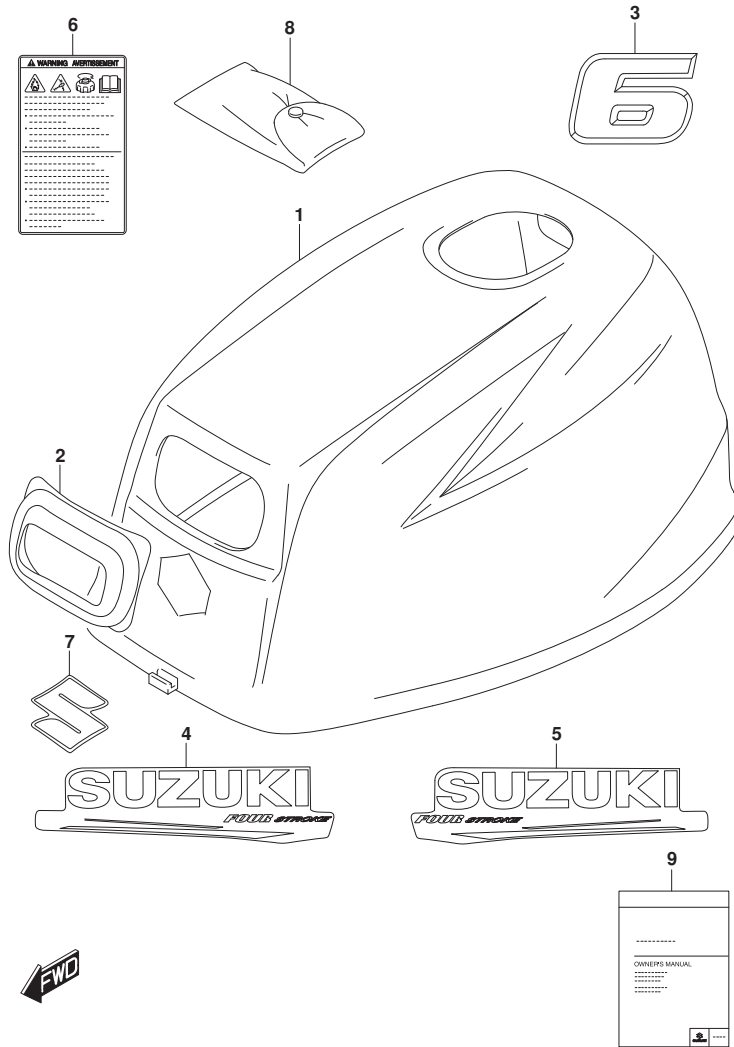


FIG.420C (1-C-14) ENGINE COVER (DF6A P01)

REF NO.	PART NO.	DESCRIPTION	Q'TY	REMARKS
1	61411-97L00-QGF	COVER, ENGINE UPPER (BLACK)	1	
2	61622-97L00	SEAL, RECOIL STARTER	1	
3	61435-97L20	MARK, EMBLEM REAR (6)	1	
4	61443-97L00	STRIPE, ENGINE COVER STBD	1	
5	61453-97L00	STRIPE, ENGINE COVER PORT	1	
6	61458-97J70	LABEL, ENGINE COVER	1	
7	77811-54GB0-0PG	EMBLEM "S" (CHROME)	1	
8	09800-01007	TOOL ASSY	1	
9	99011-97L00-055	MANUAL, OWNER'S	1	

FIG.432A

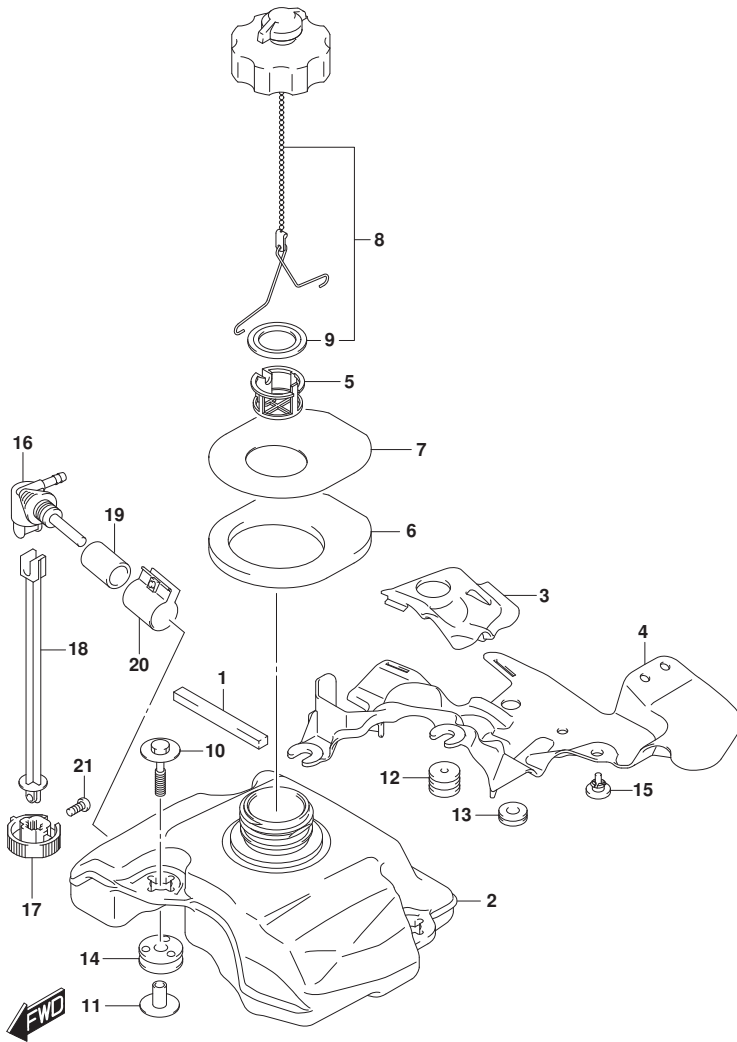


FIG.432A (1-C-15) FUEL TANK

REF NO.	PART NO.	DESCRIPTION	Q'TY	REMARKS
1	61416-97L00	GUARD, FUEL TANK	1	
2	65110-97L10	TANK, FUEL	1	
3	65112-97L00	COVER, FUEL TANK PLATE	1	
4	65113-97L00	PLATE, FUEL TANK	1	
5	65136-97L00	FILTER, FUEL TANK INLET	1	
6	65281-97L00	GROMMET, FUEL TANK	1	
7	65284-97L00	RUBBER, FUEL TANK GROMMET	1	
8	65510-97L00	CAP ASSY, FUEL TANK	1	
9	65561-91J01	.GASKET, TANK CAP	1	
10	09116-06512	BOLT (6X35)	3	
11	09169-06092	WASHER	3	
12	09320-05019	CUSHION	2	
13	09320-08051	CUSHION	1	
14	09320-09507	CUSHION	3	
15	09321-08022	CUSHION	1	
16	66100-97L00	COCK ASSY, FUEL	1	
17	66121-97L00	LEVER, FUEL COCK	1	
18	66122-97L00	SHAFT, FUEL COCK	1	
19	66142-97L00	PIPE, JOINT	1	
20	66160-97L00	CLAMP ASSY, JOINT PIPE	1	
21	09125-05050	SCREW (5X8)	1	

FIG.444A

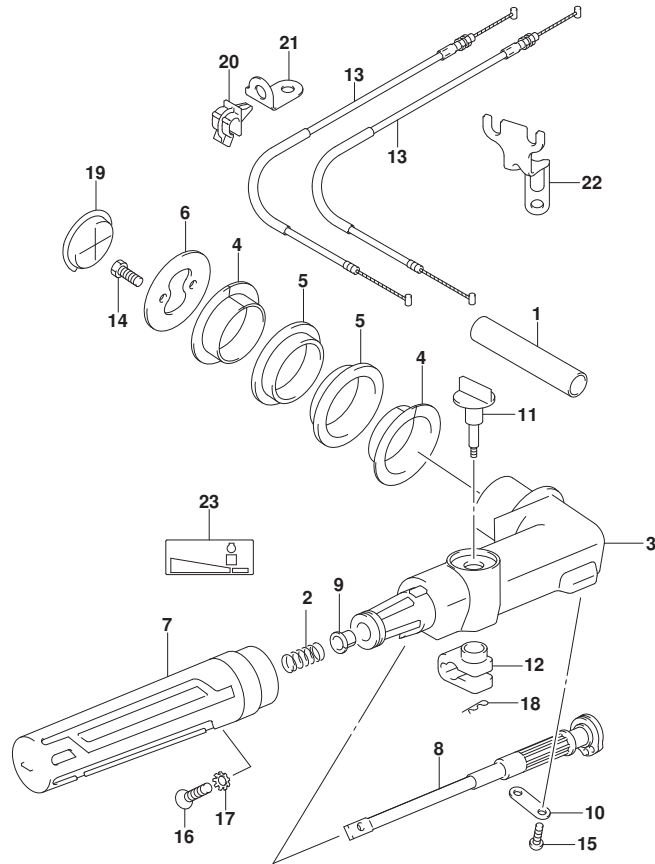


FIG.444A (1-D-2) TILLER HANDLE

REF NO.	PART NO.	DESCRIPTION	Q'TY	REMARKS
1	33833-97L50	PROTECTOR, THROTTLE CABLE	1	
2	09440-12027	SPRING	1	
3	63111-97L00-YAY	HANDLE, TILLER (BLACK)	1	
4	63115-97L00	BUSH, TILLER HANDLE	2	
5	63116-97L00	MOUNT, TILLER HANDLE	2	
6	63125-97L00	STOPPER, TILLER HANDLE	1	
7	63210-94L01	GRIP, HANDLE	1	
8	63220-97L00	ROD, HANDLE	1	
9	63225-93200	BUSH, HANDLE ROD	1	
10	63228-97L00	HOLDER, HANDLE ROD	1	
11	63240-95L00	KNOB, THROTTLE ADJ	1	
12	63241-95L01	ADJUSTER, HANDLE GRIP	1	
13	63610-97L00	CABLE ASSY, THROTTLE	2	
14	09116-06225	BOLT (6X15)	2	
15	09125-05046	SCREW (5X12)	2	
16	09126-06026	SCREW (6X23)	1	
17	09163-06001	LOCK WASHER	1	
18	09385-04004	CLIP	1	
19	09250-35006	CAP	1	
20	09403-05312	CLAMP	2	
21	63615-97L00	BRACKET, THROTTLE CABLE CLAMP	1	
22	19184-97L00	BRACKET, THROTTLE CABLE	1	
23	69714-97L00	MARK, HANDLE GRIP	1	



FIG.508A

FIG.508A (1-D-3) OPT:REMOTE CONTROL

REF NO.	PART NO.	DESCRIPTION	Q'TY	REMARKS
1	67200-91J20	REMOTE CONTROL ASSY	1	
2	36628-92E00	.GROMMET, WIRE HARNESS	1	
3	37830-95D03	.SWITCH ASSY, EMERGENCY & STOP	1	
4	37823-92E01	.PLATE, LOCK	1	
5	67212-95600	.WASHER	1	
6	67220-95630	.PLATE ASSY	1	
7	67223-99E10	.KNOB, BRAKE ADJUST	1	
8	67229-95600	.ROLLER	1	
9	67232-95600	.BUSH	1	
10	67238-87D00	.GEAR, DRIVE	1	
11	67241-99E10	.LEVER, FREE THROTTLE	1	
12	67243-95600	.BUSH	1	
13	67244-95600	.WAVE WASHER	1	
14	67245-95600	.DRUM, FREE THROTTLE	1	
15	67251-99E20	.LEVER, HANDLE	1	
16	67252-95600	.BUSH	2	
17	67253-95600	.WASHER	1	
18	67255-99E10	.ARM, LOCK	1	
19	67256-95600	.HOLDER, NEUTRAL LOCK	1	
20	67257-99E10	.CAP, LEVER	1	
21	67258-99E00	.BRACKET	1	
22	67259-87D00	.SPRING, NEUTRAL ARM	1	
23	67261-99E10	.GRIP	1	
24	67296-94310	.SCREW	1	
25	67264-95600	.WASHER	1	
26	67267-93J00	.COVER, WIRE	1	
27	67273-95600	.SPACER	1	
28	67275-95600	.END, CABLE	2	
29	37864-94J10	.CAP, PTT SWITCH	1	
30	67292-94300	.E RING	3	
31	67294-95600	.SPACER	3	
32	67296-90J00	.SCREW, REAR COVER	5	
33	67296-94300	.SCREW	2	
34	67296-95600	.SCREW	3	

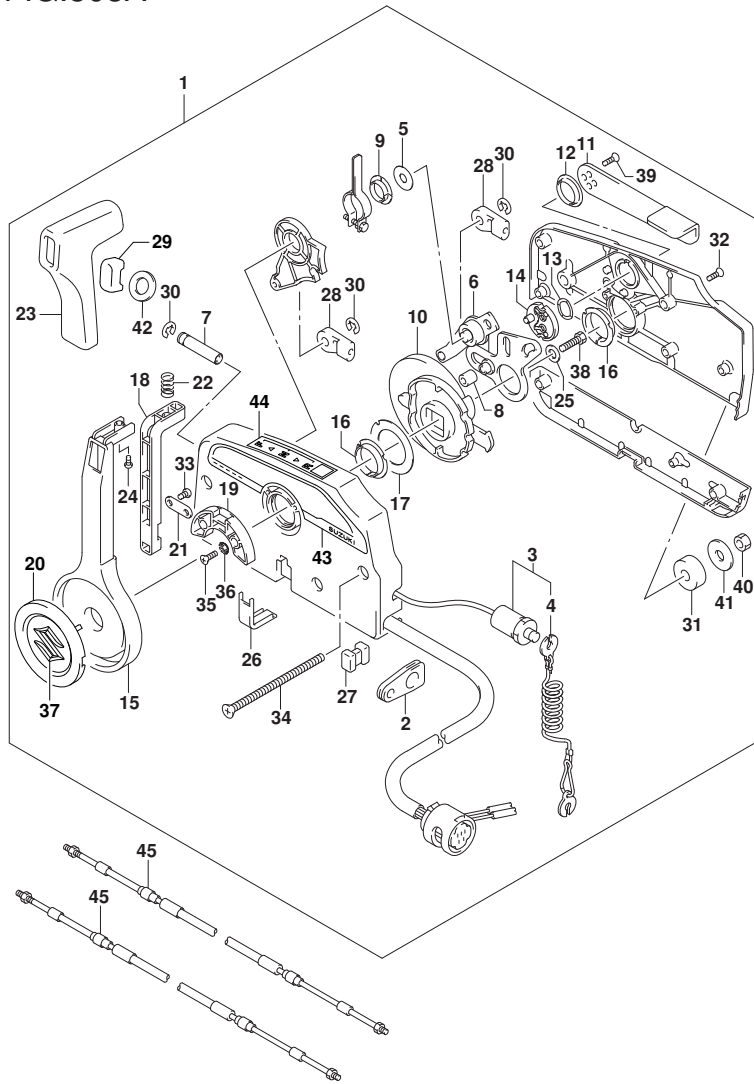
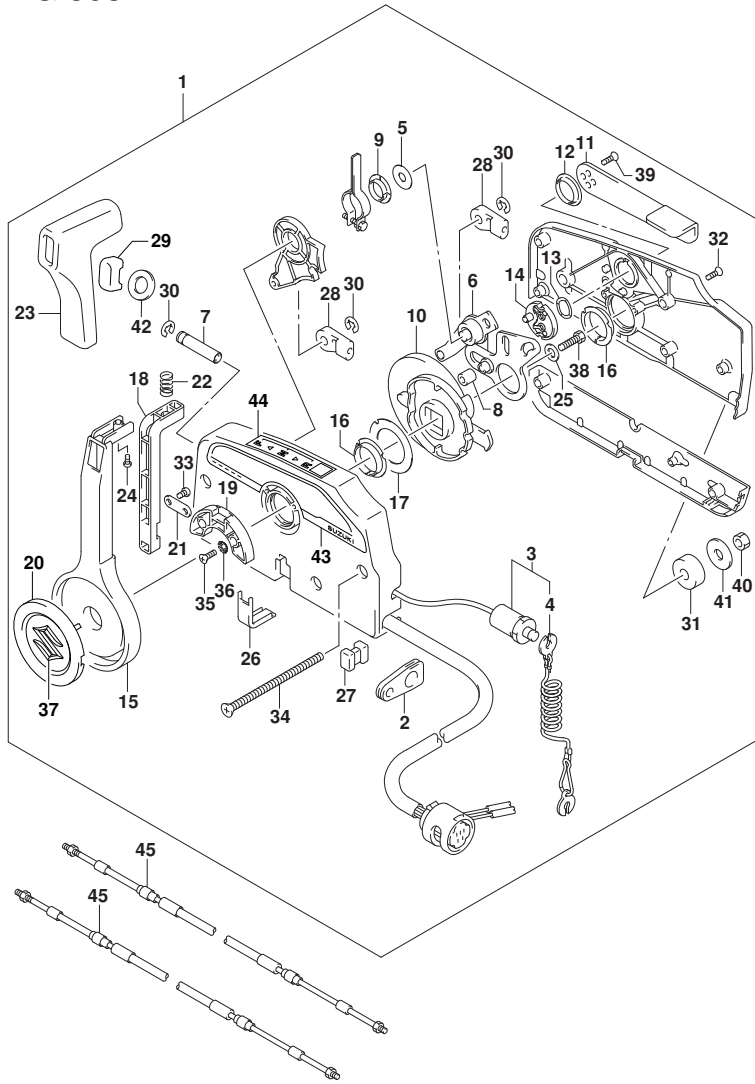


FIG.508A

FIG.508A (1-D-4) OPT:REMOTE CONTROL



REF NO.	PART NO.	DESCRIPTION	Q'TY	REMARKS
35	67296-95610	.SCREW	2	
36	67297-95600	.WASHER	2	
37	77811-54GB0-0PG	.EMBLEM, REAR MARK S (CHROME)	1	
38	09100-08232	.BOLT (8X30)	1	
39	09126-05003	.SCREW (5X12)	2	
40	09140-06020	.NUT	3	
41	09160-06104	.WASHER (6.5X24X2)	3	
42	37859-90J00	.SPACER	1	
43	67282-94L00	.DECAL, REMOCON SIDE	1	
44	67284-94L00	.MARK, HANDLE LEVER	1	
45-1	67320-93J00	CABLE ASSY, REMOCON 8F (2.4M)	2	
45-2	67320-93J10	CABLE ASSY, REMOCON 10F (3.1M)	2	
45-3	67320-93J20	CABLE ASSY, REMOCON 12F (3.7M)	2	
45-4	67320-93J30	CABLE ASSY, REMOCON 14F (4.3M)	2	
45-5	67320-93J40	CABLE ASSY, REMOCON 16F (4.9M)	2	

FIG.514A

FIG.514A (1-D-5) OPT:REMOCON PARTS SET

REF NO.	PART NO.	DESCRIPTION	Q'TY	REMARKS
1	67101-97L00	PARTS SET, R/CON	1	
2	29141-93J00	.NUT R/CON THROTTLE CABLE BOLT	1	
3	63610-97L10	.CABLE ASSY, THROTTLE R/CON	2	
4	67110-97L00	ATTACHMENT, R/CON NO.2	1	
5	67112-97L00	ATTACHMENT, R/CON NO.1	1	
6	67412-97L00	LEVER, R/CON THROTTLE	1	
7	67415-97L00	.DRUM, R/CON THROTTLE LEVER	1	
8	67416-91J00	.BOLT, REMOCON THROTTLE LEVER	1	
9	67447-91J10	.BOLT, REMOCON THROTTLE CABLE	1	
10	67447-97L00	.PIN, R/CON CLUTCH CABLE	1	
11	67448-91J00	.STOPPER, REMOCON CABLE PIN	2	
12	09204-01002	.COTTER PIN	1	
13	67449-97L00	.BOLT, R/CON ATTACHMENT STUD	2	
14	67460-97L00	.BRACKET, R/CON THROT LEVER	1	
15	67466-95200	.CONNECTOR, CABLE (THROT)	1	
16	67467-93E01	.CONNECTOR, CABLE (CLUTCH)	1	
17	09116-06232	.BOLT (6X30)	1	
18	09116-06229	.BOLT (6X25)	1	
19	09159-06079	.NUT	1	
20	09159-08059	.NUT	2	
21	09160-06082	.WASHER (6.5X13X1.0)	1	
22	09160-06104	.WASHER (6.5X24X2)	1	
23	09160-08145	.WASHER (8X14X1.5)	2	
24	09164-08017	.WASHER	1	
25	09180-06097	.SPACER (6.1X9X12.3)	1	
26	09306-08002	.BUSH	2	
27	09320-11017	.CUSHION	1	
28	09403-07340	.CLAMP	1	
29	36991-94L00	.CLAMP, STOP SWITCH LEAD	1	
30	09407-14407	.CLAMP (L:145)	2	
31	36831-97L00	.LEAD, STOP SWITCH	1	
32	09407-11401	.CLAMP (L:95)	2	

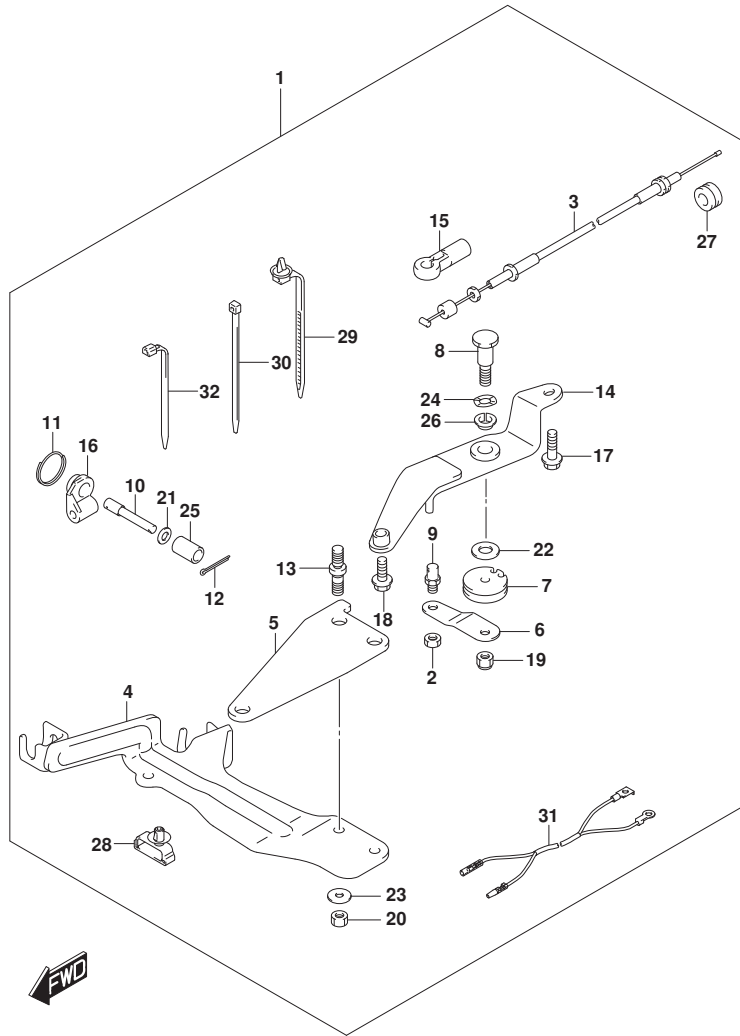


FIG.550A

FIG.550A (1-D-6) OPT:ELECTRICAL

REF NO.	PART NO.	DESCRIPTION	Q'TY	REMARKS
1	32000-97L00	KIT, BATTERY CHARGING	1	
2	32801-97L00	..RECTIFIER SET	1	
3	32800-94J11	..RECTIFIER / REGULATOR ASSY	1	
4	36740-95253	..CASE ASSY, FUSE	1	
5	09481-20001	...FUSE (20A)	1	
6	37132-93700	..TERMINAL, LEAD WIRE	1	
7	01550-06207	..BOLT	2	
8	08310-00067	..NUT	2	
9	37801-98300	..LEAD, STOP SWITCH	1	
10	39600-97L00	..COIL SET, RECEPTACLE	1	
11	32102-97L10	..FLYWHEEL, MAGNETO	1	
12	32120-97L00	..COIL, LIGHTING	1	
13	32916-92L00	..COVER, CONNECTOR	1	
14	39601-95D00	..RECEPTACLE, LIGHTING	1	
15	36634-93910	...CAP, LIGHTING RECEPTACLE	1	
16	39602-93900	..PLUG, LIGHTING	1	
17	09320-06016	..CUSHION	1	
18	29404-93J20	..CLAMP	1	
19	09407-14407	..CLAMP (L:145)	3	
20	01547-06257	..BOLT	4	
21	01550-06127	..BOLT	1	
22	32815-97L00	..BRACKET, RECTIFIER	1	
23	36991-94L00	..CLAMP, HARNESS	1	
24	01550-06167	..BOLT	2	
25	36990-87D00	TERMINAL	1	

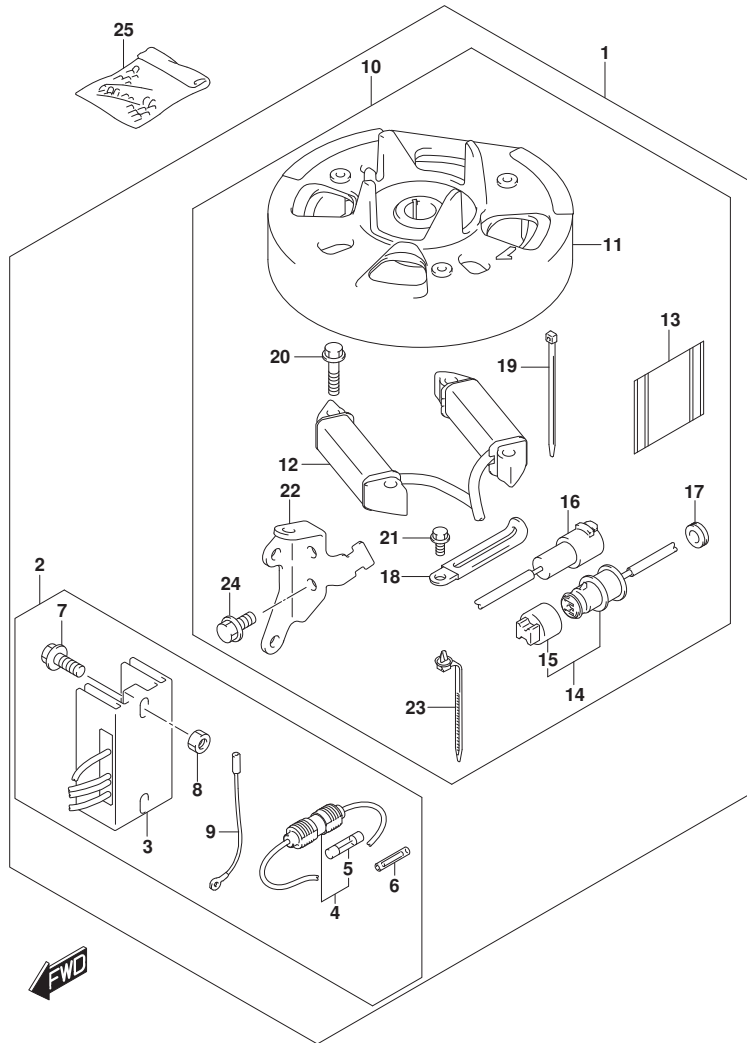


FIG.583A

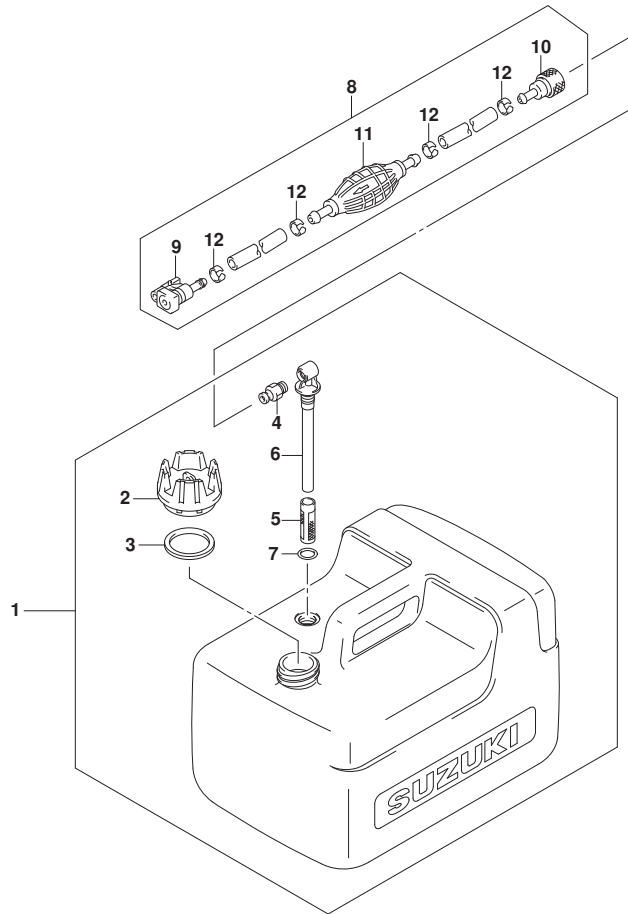


FIG.583A (1-D-7) OPT:FUEL TANK (DF5A P01)

REF NO.	PART NO.	DESCRIPTION	Q'TY	REMARKS
1	65000-99100	TANK ASSY, FUEL (12L)	1	
2	65520-99100	.CAP, FUEL TANK	1	
3	65561-95D00	.GASKET	1	
4	65740-99100	.PLUG, FUEL CONNECTOR	1	
5	65831-95D00	.FILTER OUTLET	1	
6	65890-99100	.OUTLET ASSY	1	
7	65892-95D00	.O RING	1	
8	65700-94JD1	HOSE, FUEL	1	
9	65750-87JL0	.SOCKET, FUEL HOSE	1	
10	65750-98505	.SOCKET, FUEL HOSE	1	
11	65770-99J01	.PUMP, SQUEEZE	1	
12	65781-98500	.CLIP, FUEL HOSE	4	

FIG.583B

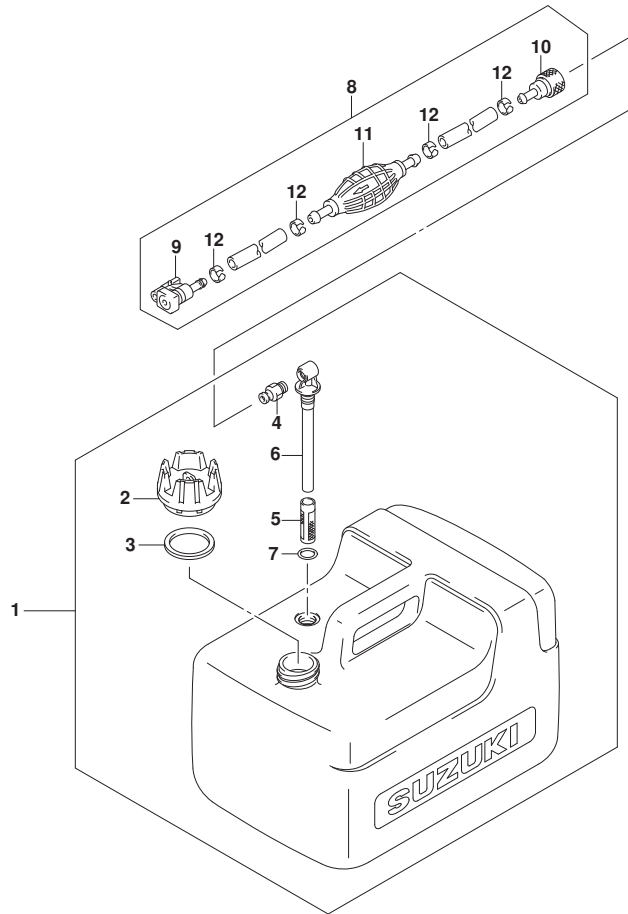


FIG.583B (1-D-8) OPT:FUEL TANK (DF6A P01)

REF NO.	PART NO.	DESCRIPTION	Q'TY	REMARKS
1	65000-99100	TANK ASSY, FUEL (12L)	1	
2	65520-99100	.CAP, FUEL TANK	1	
3	65561-95D00	.GASKET	1	
4	65740-99100	.PLUG, FUEL CONNECTOR	1	
5	65831-95D00	.FILTER OUTLET	1	
6	65890-99100	.OUTLET ASSY	1	
7	65892-95D00	.O RING	1	
8	65700-94JD1	HOSE, FUEL	1	
9	65750-87JL0	.SOCKET, FUEL HOSE	1	
10	65750-98505	.SOCKET, FUEL HOSE	1	
11	65770-99J01	.PUMP, SQUEEZE	1	
12	65781-98500	.CLIP, FUEL HOSE	4	

PART NO.	FIG.NO.-REF.NO.	PART NO.	FIG.NO.-REF.NO.	PART NO.	FIG.NO.-REF.NO.	
10000		13200-97L00	128C-24		128B-25	
		13200-97L10	128A-1		128C-25	
		13200-97L20	128B-1	13436-91J00	128A-26	
		13236-97L00	128C-1		128B-26	
		13236-97L10	128A-2		128C-26	
	11110-97L00	111A-1	13236-97L10	128B-2	13534-97J10	128A-22
	11115-93E00-001	111A-2	13236-97L20	128C-2		128B-22
	11117-91JL0	111A-5	13245-97J00	128A-9		128C-22
	11141-97L00	111A-3		128B-9	13616-97J00	128A-13
	11170-97L00	111A-8		128C-9		128B-13
11173-97L00	113A-16	13247-97J00	128A-11		128C-13	
11174-97L00	122A-5		128B-11	13631-97L00	128A-27	
11177-97L00	113A-17		128C-11		128B-27	
11179-97L00	113A-18	13248-97J00	128A-20		128C-27	
11186-97L00	113A-19		128B-20	13810-97L00	122A-4	
11189-97L00	111A-9		128C-20	15100-91J02	146A-1	
11200-97L00	113A-1	13249-97J00	128A-10		146B-1	
11300-97L00	113A-4		128B-10		146C-1	
11351-97L00	113A-11		128C-10	15170-91J01	146A-2	
11381-91J10	113A-12	13249-97J10	128A-19		146B-2	
11431-97L00	113A-20		128B-19		146C-2	
11452-91J00	113A-26		128C-19	15191-97L00	146A-4	
11971-97L00	113A-2	13250-97J20	128A-5		146B-4	
12100-97L00-050	116A-25		128B-5		146C-4	
12111-89L00-0B0	116A-1		128C-5	15192-97L00	146B-5	
12140-89L20	116A-2	13251-97J00	128A-8		146C-5	
12140-89L20-050	116A-26		128B-8	15251-91J00	146A-3	
12151-89L00	116A-3		128C-8		146B-3	
12160-97L00	116A-5	13254-97J00	128A-6		146C-3	
12163-97L00	116A-6		128B-6	15850-97L00	146A-5	
12200-97L00	116A-7		128C-6		146B-6	
12711-97L00	116A-9	13267-97J00	128A-14		146C-6	
12840-97L00	116A-14		128B-14	16131-97L00	175A-1	
12842-97L00	116A-15		128C-14	16132-97L00	175A-2	
12843-27A00	116A-16	13267-97J10	128A-16	16152-97L00	113A-5	
12891-87C00	116A-17		128B-16	16153-97L00	113A-6	
12894-91JL0	116A-13		128C-16	16161-97L00	175A-3	
12911-91J01	116A-18	13268-97J10	128A-12	16165-97L00	175A-4	
12915-91J01	116A-19		128B-12	16510-16H11	175A-9	
12921-91J00	116A-20		128C-12	16512-97L00	175A-10	
12931-78G00	116A-21	13268-97J20	128A-21	16520-97L00	175A-5	
12932-24400	116A-22		128B-21	16524-97L00	175A-6	
12951-91J01	116A-10		128C-21	17110-97L00	303A-17	
13111-97L00	122A-1	13268-97J30	128A-7	17400-986L1	160A-21	
13119-97L00	122A-2		128B-7	17410-91JL0	160A-1	
13124-91JL0	128A-30		128C-7	17412-91JL0	160A-13	
	128B-30	13371-91J20	128A-4	17413-91JL0	160A-14	
	128C-30		128B-4	17415-98501	160A-2	
13125-91J10	128A-24		128C-4	17461-985M0	160A-3	
	128B-24	13413-97L00	128A-25	17471-98610	160A-4	

PART NO.	FIG.NO.-REF.NO.	PART NO.	FIG.NO.-REF.NO.	PART NO.	FIG.NO.-REF.NO.
17472-91J00	160A-5				
17561-97L00	160A-6-1				
17561-97L10	160A-6-2				
17563-97L00	160A-7				
17564-98600	160A-8				
17670-91J00	111A-12	32000-97L00	550A-1	41111-97L00-YAY	335A-1
17680-97L00	111A-15	32102-97L00	303A-1	41121-97L00-YAY	335A-2
18100-97L00	167A-1	32102-97L10	550A-11	41211-97L00	335A-3
18121-97L00	167A-2	32120-97L00	550A-12	41212-91J00	335A-4
18130-97L00	167A-3	32800-94J11	550A-3	41213-94J01	335A-5
18142-97L00	167A-4	32801-97L00	550A-2	43111-97L00-YAY	336A-2
18178-98310	167A-5	32815-97L00	550A-22	43121-97L00-YAY	336A-3
18210-95L00	167A-6	32916-92L00	550A-13	43211-97L00	336A-4
18280-91J00	167A-7	33410-97L00	303A-2	43410-91J21	336A-14
18290-97L00	167A-9	33510-07H00	303A-6	43417-97L00	336A-20
19184-97L00	444A-22	33541-16H00	303A-7	43430-97L00	336A-13
		33542-07H00	303A-8	43711-97L00	336A-5
		33833-97L00	146B-7	43751-97L00-YAY	336A-6
			146C-7	43752-97L00-YAY	336A-7
		33833-97L10	146B-8	44330-13H00	146A-7
			146C-8		146B-10
			146B-9		146C-10
			146C-9	45211-97L00	336A-9
		33833-97L30	146A-6	45212-97L00	336A-10
		33833-97L40	111A-16	45230-97L00	336A-11
21110-97L00	208A-1	33833-97L50	444A-1	45247-99J00	336A-15
21120-97L00	208A-2	36628-92E00	508A-2	45420-97L00	335A-14
21131-96010	412A-17	36634-93910	550A-15	45710-97L00	336A-16
	412B-20	36740-95253	550A-4	45717-97L00	335A-16
	412C-20	36831-97L00	514A-31	45733-97L00	336A-17
21216-91J00	208A-3	36990-87D00	550A-25	45751-97L00	336A-18
22511-99011	336A-1	36991-94L00	303A-13		
	405A-2		514A-29		
23110-97L00	208A-4		550A-23		
23210-91J00	208A-5	37132-93700	550A-6		
23212-91J00	208A-6	37801-98300	550A-9		
23213-91J00	208A-7	37823-92E01	508A-4		
23310-91J00	208A-8	37823-97J00	303A-10		
23321-91J00	208A-9	37826-97J00	303A-11		
25111-97L00	210A-1-1	37830-95D03	508A-3		
25111-97L10	210A-1-2	37830-97L00	303A-9	52110-97L00-YAY	405A-1
25211-98601	210A-2	37835-95D00	303A-12	52113-97L00	405A-3
25215-98601	160A-20	37859-90J00	508A-42	52115-98600	405A-4
25222-91JL0	210A-3	37864-94J10	508A-29	52117-97L00	405A-14
25311-91J01	210A-4	39600-97L00	550A-10	52131-91J20-YAY	405A-9
29141-93J00	160A-11	39601-95D00	550A-14	54132-97L00	405A-12
	335A-9	39602-93900	550A-16	54162-97L00	405A-13
	514A-2			55110-97L00-YAY	407A-1
29404-93J20	550A-18			55181-95200	405A-15
				55321-87J01	407A-4

PART NO.	FIG.NO.-REF.NO.	PART NO.	FIG.NO.-REF.NO.	PART NO.	FIG.NO.-REF.NO.
55321-87J11	407A-25	61137-97L00	412A-6	63610-97L10	514A-3
55321-95J00	111A-13		412B-6	63615-97L00	444A-21
56120-97L00-YAY	407A-12		412C-6	65000-99100	583A-1
56122-98601	407A-16	61189-97L00	412A-7		583B-1
56123-98600	407A-17		412B-7	65110-97L10	432A-2
56130-91J20	160A-16		412C-7	65112-97L00	432A-3
56132-91J00	160A-18	61211-97L00	412B-21	65113-97L00	432A-4
57111-91J21	230A-1-1		412C-21	65136-97L00	432A-5
57111-91J31	230A-1-2	61211-97L10	412A-18	65281-97L00	432A-6
57130-91J00	230A-3	61411-97L00-QGF	420A-1	65284-97L00	432A-7
57311-91J00	230A-5		420B-1	65510-97L00	432A-8
57510-91J00	230A-8		420C-1	65520-99100	583A-2
57520-97L00	230A-9	61416-97L00	432A-1		583B-2
57611-97L00	230A-14	61435-97L00	420A-3	65561-91J01	432A-9
57621-986L0	230A-15	61435-97L10	420B-3	65561-95D00	583A-3
57631-98601	230A-19	61435-97L20	420C-3		583B-3
57632-97L00	230A-20	61443-97L00	420A-4	65700-94JD1	583A-8
57635-97L00	407A-23		420B-4		583B-8
58110-91JL0-019	407A-20-1		420C-4	65720-986L0	412B-16
58110-91JM0-019	407A-20-2	61453-97L00	420A-5		412C-16
58110-91JN0-019	407A-20-3		420B-5	65727-91JL0	412B-17
58120-91JL0	407A-21		420C-5		412C-17
58130-91JL0	407A-22	61458-97J70	420A-6	65740-99100	583A-4
59171-97L00	230A-10-1		420B-6		583B-4
59171-97L10	230A-10-2		420C-6	65750-87JL0	583A-9
59171-97L20	230A-10-3	61472-97L00	167A-12		583B-9
59178-97J00	407A-7	61494-97L00	167A-13	65750-98505	583A-10
59311-91J00	407A-2	61611-91J11	412A-13		583B-10
			412B-12	65770-99J01	583A-11
			412C-12		583B-11
		61622-97L00	420A-2	65781-98500	583A-12
			420B-2		583B-12
			420C-2	65831-95D00	583A-5
		61626-97L00	412A-14		583B-5
			412B-13	65890-99100	583A-6
			412C-13		583B-6
61110-97L00-QGF	412A-1	61640-91J10	412A-15	65892-95D00	583A-7
	412B-1		412B-14		583B-7
61112-97L00	412A-2		412C-14	66100-97L00	432A-16
	412B-2	63111-97L00-YAY	444A-3	66121-97L00	432A-17
	412C-2	63115-97L00	444A-4	66122-97L00	432A-18
61117-97L00	412A-3	63116-97L00	444A-5	66142-97L00	432A-19
	412B-3	63125-97L00	444A-6	66160-97L00	432A-20
	412C-3	63210-94L01	444A-7	67101-97L00	514A-1
61133-97L00	412A-4	63220-97L00	444A-8	67110-97L00	514A-4
	412B-4	63225-93200	444A-9	67112-97L00	514A-5
	412C-4	63228-97L00	444A-10	67200-91J20	508A-1
61135-97L00	412A-5	63240-95L00	444A-11	67212-95600	508A-5
	412B-5	63241-95L01	444A-12	67220-95630	508A-6
	412C-5	63610-97L00	444A-13	67223-99E10	508A-7

PART NO.	FIG.NO.-REF.NO.	PART NO.	FIG.NO.-REF.NO.	PART NO.	FIG.NO.-REF.NO.
67229-95600	508A-8				
67232-95600	508A-9				
67238-87D00	508A-10				
67241-99E10	508A-11				
67243-95600	508A-12				
67244-95600	508A-13	77811-54GB0-0PG	420A-7		
67245-95600	508A-14		420B-7		
67251-99E20	508A-15		420C-7		
67252-95600	508A-16		508A-37		
67253-95600	508A-17				
67255-99E10	508A-18				
67256-95600	508A-19				
67257-99E10	508A-20				
67258-99E00	508A-21				
67259-87D00	508A-22				
67261-99E10	508A-23	99000-81157-50M	167A-8		
67264-95600	508A-25		420A-9	09106-02001	116A-11
67267-93J00	508A-26	99011-97L00-055	420B-9	09106-05035	412A-16
67273-95600	508A-27		420C-9		412B-15
67275-95600	508A-28				412C-15
67282-94L00	508A-43			09108-06146	160A-9
67284-94L00	508A-44			09108-08092	405A-10
67292-94300	508A-30			09116-06224	336A-12
67294-95600	508A-31			09116-06225	160A-10
67296-90J00	508A-32				407A-18
67296-94300	508A-33	01547-0620C	175A-8		444A-14
67296-94310	508A-24		303A-3	09116-06226	336A-19
67296-95600	508A-34	01547-06257	550A-20	09116-06227	208A-10
67296-95610	508A-35	01547-0625C	122A-3		412A-8
67297-95600	508A-36	01550-06127	550A-21		412B-8
67320-93J00	508A-45-1	01550-0612C	303A-18		412C-8
67320-93J10	508A-45-2	01550-06167	550A-24	09116-06229	160A-19
67320-93J20	508A-45-3	01550-0616C	175A-13		514A-18
67320-93J30	508A-45-4	01550-06207	550A-7	09116-06232	514A-17
67320-93J40	508A-45-5	01550-0620A	175A-7	09116-06233	405A-5
67412-97L00	514A-6	01550-0620C	111A-10	09116-06234	336A-8
67415-97L00	514A-7		111A-17	09116-06509	412A-9
67416-91J00	514A-8		167A-10		412B-9
67447-91J10	514A-9	01550-0630C	113A-14		412C-9
67447-97L00	514A-10		146A-17	09116-06512	432A-10
67448-91J00	514A-11		146B-23	09116-08156	407A-5
67449-97L00	514A-13		146C-23	09125-05046	444A-15
67460-97L00	514A-14	01550-0640C	113A-25	09125-05050	432A-21
67466-95200	514A-15	02112-0612A	113A-27	09125-05143	335A-17
67467-93E01	514A-16	02142-06127	113A-28	09126-05003	508A-39
69711-91J10	167A-11	03542-05169	412A-12	09126-05011	111A-14
69714-97L00	444A-23		412B-11	09126-06026	444A-16
69911-91J50	335A-15		412C-11	09128-06014	208A-11
				09140-06020	508A-40
		04211-09149	113A-15		
		04211-11169	111A-7	09140-08023-XCO	407A-10

PART NO.	FIG.NO.-REF.NO.	PART NO.	FIG.NO.-REF.NO.	PART NO.	FIG.NO.-REF.NO.
09159-06079	514A-19	09206-11006	405A-11	09343-50L01-120	146A-12
09159-08059	335A-10		407A-8		146B-16
	514A-20	09248-08001	407A-9		146C-16
09160-05501	210A-5	09248-12009	113A-22	09343-50L01-440	146B-17
09160-06082	160A-12	09250-10010	412A-10		146C-17
	335A-11		412B-10	09343-50L01-550	146A-13
	514A-21		412C-10	09352-70113-600	111A-4
09160-06085	412B-19	09250-12006	412A-11	09367-06002	146B-18
	412C-19	09250-35006	444A-19		146C-18
09160-06104	508A-41	09261-04021	116A-23	09367-06007	146A-14
	514A-22	09262-12001	407A-15		146B-19
09160-06145	208A-12	09262-20106	407A-3		146C-19
09160-08059	335A-12	09280-05008	210A-7	09380-10003	230A-4
09160-08082	407A-11	09280-15007	113A-13	09381-16001	116A-4
09160-08145	514A-23		210A-8	09385-04004	444A-18
09160-10088	230A-6-1	09280-16005	208A-14	09387-52002	113A-24
09160-10089	230A-6-2	09280-27006	146A-8	09401-09404	128A-23
09160-10090	230A-6-3		146B-11		128B-23
09160-10091	230A-6-4		146C-11		128C-23
09160-10092	230A-6-5	09280-39001	175A-11		146A-15
09163-06001	444A-17	09280-49002	407A-19		146B-20
09164-08017	514A-24	09282-10008	160A-17		146C-20
09166-12L01	230A-7	09282-12L05	407A-14	09401-10412	111A-6
09167-23001	407A-13	09283-10009	113A-8	09401-11424	146B-21
09168-10022	405A-6	09283-21009	113A-3		146C-21
09168-12017	113A-21	09283-25076	113A-9	09403-05312	444A-20
09168-16009	113A-7	09289-05012	116A-24	09403-07340	514A-28
09169-06092	432A-11	09306-08002	514A-26	09403-09326	146A-16
09180-05067	335A-18	09320-04010	405A-8		146B-22
09180-06097	514A-25	09320-05019	432A-12		146C-22
09180-06371	335A-13	09320-06016	550A-17	09407-11401	514A-32
09181-10156	230A-2	09320-08051	432A-13	09407-14407	303A-16
09181-12017	230A-12-4	09320-09507	432A-14		514A-30
09181-12018	230A-12-5	09320-11017	514A-27		550A-19
09181-12022	230A-12-1	09321-08022	113A-23	09408-00159	303A-14
09181-12023	230A-12-2		432A-15	09420-03002	160A-15
09181-12024	230A-12-3	09343-50L01-040	146A-9	09440-05039	230A-17
09181-12111	230A-11		146A-10	09440-10038	175A-12
09181-20162	230A-13-1		146B-12	09440-12027	444A-2
09181-20164	230A-13-2		146B-13	09440-24007	230A-18
09181-20167	230A-13-3		146C-12	09481-20001	550A-5
09181-20172	230A-13-4		146C-13	09482-00L04	111A-11
09181-20176	230A-13-5	09343-50L01-060	128A-29	09491-52L01	128A-3-1
09202-04016	230A-16		128B-29	09491-54L01	128A-3-2
09202-06023	405A-7		128C-29	09491-64003	128B-3-1
09204-01002	208A-13	09343-50L01-080	146A-11	09491-66005	128B-3-2
	514A-12		146B-14	09491-70018	128C-3-1
			146C-14	09491-72015	128C-3-2
09204-03003	407A-24		146B-15	09492-32011	128A-15-1
09205-02004	210A-6	09343-50L01-110	146C-15	09492-34004	128A-15-2
09205-06021	335A-6				

PART NO.	FIG.NO.-REF.NO.	PART NO.	FIG.NO.-REF.NO.	PART NO.	FIG.NO.-REF.NO.
09492-35035	128B-15-1				
09492-37005	128B-15-2				
09492-39003	128C-15-1				
09492-41004	128C-15-2				
09493-22L01	128C-17				
09493-26010	128A-17				
09493-30007	128B-17				
09493-75001	128B-18				
09493-80015	128C-18				
09493-85003	128A-18				
09800-01007	420A-8				
	420B-8				
	420C-8				

SUZUKI DF4A/5A/6A PARTS CATALOGUE

SUZUKI MOTOR CORPORATION All rights reserved

No part of this document may be reproduced or transmitted in any form or by any means, electronic or mechanical, for any purpose, without the express written permission of Suzuki Motor Corporation.

SUZUKI MOTOR CORPORATION

Technical Readiness Group, Quality Administration Department
300 Takatsuka, Minami, Hamamatsu, Japan

Reprint Prohibited

SUZUKI MOTOR CORPORATION